



AC101

User Manual

Revision 1.1

2015/1/11

Declaration

This documentation is the original work and copyrighted property of X-Powers. Reproduction in whole or in part must obtain the written approval of X-Powers and give clear acknowledgement to the copyright owner.

The information furnished by X-Powers is believed to be accurate and reliable. X-Powers reserves the right to make changes in circuit design and/or specifications at any time without notice. X-Powers does not assume any responsibility and liability for its use. Nor for any infringements of patents or other rights of the third parties which may result from its use. No license is granted by implication or otherwise under any patent or patent rights of X-Powers. This documentation neither states nor implies warranty of any kind, including fitness for any particular application.

Third party licences may be required to implement the solution/product. Customers shall be solely responsible to obtain all appropriately required third party licences. X-Powers shall not be liable for any licence fee or royalty due in respect of any required third party licence. X-Powers shall have no warranty, indemnity or other obligations with respect to matters covered under any required third party licence.

About Documentation

This documentation of AC101 is intended to be used by board-level product designers and product software developers. The manual assumes that the reader has a background in computer engineering and/or software engineering and understands concepts of digital system design, microprocessor architecture, Input / Output (I/O) devices, industry standard communication and device interface protocols.

Organization

This document aims to describe the AC101 from following aspects: block diagram, pin assignment, pin/signal description, electrical characteristics, typical application, system description and register description.

Revision History

Version	Date	Description
V1.0	2014/12/1	Completed Draft
V1.1	2015/1/11	

Table of Contents

- Declaration..... 2
- About Documentation..... 3
- Revision History..... 4
- Table of Contents..... 5
- 1. Description..... 9
- 2. Features..... 10
- 3. Applications..... 11
- 4. Functional Block Diagram..... 11
 - 4.1. Functional Block Diagram..... 11
 - 4.2. Data Path Diagram..... 12
- 5. Pin Assignment..... 13
- 6. Package Dimension..... 14
- 7. Pin/Signal Description..... 15
- 8. Electrical Characteristics..... 17
 - 8.1. Absolute Maximum Ratings..... 17
 - 8.2. Recommended Operating Conditions..... 17
 - 8.3. Static Characteristics..... 18
- 9. Analog Performance Characteristics..... 19
- 10. Typical Power Consumption..... 21
- 11. Function Description..... 22
 - 11.1. Power..... 22
 - 11.2. Clock..... 23
 - 11.3. PLL..... 24
 - 11.4. TWI/RSB Interface..... 25

11.4.1. TWI Interface.....	25
11.4.2. RSB Interface.....	26
11.5. I2S/PCM Interface.....	28
11.6. Stereo ADC.....	32
11.7. Stereo DAC.....	32
11.8. Mixer.....	32
11.8.1. DAC Output Mixers.....	32
11.8.2. ADC Record Mixers.....	32
11.8.3. Digital Mixers.....	33
11.9. Analogue Audio Input Path.....	34
11.9.1. Microphone Input.....	34
11.9.2. LINEINL/R Input.....	34
11.10. Analogue Audio Output Path.....	35
11.10.1. Headphone Output.....	35
11.10.2. Speaker Output.....	35
11.11. Digital Microphone Interface.....	37
11.12. Audio Jack Detect.....	38
11.13. Interrupt.....	39
11.14. Digital Audio Process for DAC.....	40
11.14.1. High Pass Filter.....	41
11.14.2. Dynamic Range Control.....	41
12. Register List.....	44
Reg 00h_Chip Soft Reset Register.....	45
Reg 01h_PLL Configure Control 1 Register.....	45
Reg 02h_PLL Configure Control 2 Register.....	46
Reg 03h_System Clocking Control Register.....	46

Reg 04h_ Module Clock Enable Control Register.....	47
Reg 05h_ Module Reset Control Register.....	47
Reg 06h_ ADDA Sample Rate Configuration Register.....	48
Reg 10h_ I2S1 BCLK/LRCK Control Register.....	48
Reg 11h_ I2S1 SDOUT Control Register.....	50
Reg 12h_ I2S1 SDIN Control Register.....	51
Reg 13h_ I2S1 Digital Mixer Source Select Register.....	52
Reg 14h_ I2S1 Volume Control 1 Register.....	53
Reg 15h_ I2S1 Volume Control 2 Register.....	53
Reg 16h_ I2S1 Volume Control 3 Register.....	54
Reg 17h_ I2S1 Volume Control 4 Register.....	54
Reg 18h_ I2S1 Digital Mixer Gain Control Register.....	55
Reg 40h_ ADC Digital Control Register.....	56
Reg 41h_ ADC Volume Control Register.....	56
Reg 44h_ HMIC Control 1 Register.....	57
Reg 45h_ HMIC Control 2 Register.....	57
Reg 46h_ HMIC Status Register.....	58
Reg 48h_ DAC Digital Control Register.....	59
Reg 49h_ DAC Volume Control Register.....	59
Reg 4ch_ DAC Digital Mixer Source Select Register.....	60
Reg 4dh_ DAC Digital Mixer Gain Control Register.....	60
Reg 50h_ ADC Analog Control Register.....	61
Reg 51h_ ADC Source Select Register.....	61
Reg 52h_ ADC Source Boost Control Register.....	62
Reg 53h_ Output Mixer & DAC Analog Control Register.....	63
Reg 54h_ Output Mixer Source Select Register.....	63

Reg 55h_Output Mixer Source Boost Register.....	64
Reg 56h_Headphone Output Control Register.....	64
Reg 58h_Speaker Output Control Register.....	65
Reg a0h_DAC DAP Control Register.....	66
Reg a1h_DAC DAP High HPF Coef Register.....	66
Reg a2h_DAC DAP Low HPF Coef Register.....	66
Reg a3h_DAC DAP Left High Energy Average Coef Register.....	66
Reg a4h_DAC DAP Left Low Energy Average Coef Register.....	67
Reg a5h_DAC DAP Right High Energy Average Coef Register.....	67
Reg a6h_DAC DAP Right Low Energy Average Coef Register.....	67
Reg a7h_DAC DAP High Gain Decay Time Coef Register.....	67
Reg a8h_DAC DAP Low Gain Decay Time Coef Register.....	67
Reg a9h_DAC DAP High Gain Attack Time Coef Register.....	67
Reg aah_DAC DAP Low Gain Attack Time Coef Register.....	68
Reg abh_DAC DAP High Energy Threshold Register.....	68
Reg ach_DAC DAP Low Energy Threshold Register.....	68
Reg adh_DAC DAP High Gain K Parameter Register.....	68
Reg aeh_DAC DAP Low Gain K Parameter Register.....	68
Reg afh_DAC DAP High Gain Offset Parameter Register.....	68
Reg b0h_DAC DAP Low Gain Offset Parameter Register.....	69
Reg b1h_DAC DAP Optimum Register.....	69
Reg b5h_DAC DAP Enable Register.....	69

1. Description

The AC101 is a highly integrated audio codec designed for player and tablet application platforms. It has one I2S/PCM interface, 2 channel DAC and 2 channel ADC with a high level of mixed-signal integration.

An integrated digital PLL supports a large range of input/output frequencies, and It can generate required audio clocks for codec from standard audio crystal rate such as 22.5792MHz and 24.576MHz, also can be from common reference clock frequencies such as 12MHz, 13MHz and 19.2MHz, and an internal RC oscillator can be used in Free-running Mode, where the application processor can be inactive during voice call application. The 2 ADC and 2 DAC in device use advanced multi-bit delta-sigma modulation technique to convert data between analog and digital . The SNR performance can reach 100 dB A-wight.

Three analog input paths allow diverse analog audio sources such as two sets of differential microphone, one differential or single-ended linein or stereo FM input.

One ground-reference headphone output is provided. The output amplifier are powered from an integrated Charge Pump in order to achieve a higher quality, less power consumption in headphone playback, whist without any DC blocking capacitor and avoiding unwanted noise.

Two stereo differential speaker output is available by using an external amplifier to drive the loud-speaker. It can also be configured as single-ended output pin for some application of external single-ended amplifier.

The flexible analogue and digital mixers form a varied signal routing to support a complicated application.

AC101 is controlled through TWI (2-wire serial interface) or RSB^① (reduced serial bus) . It works only in the slave mode .

The integrated DRC(Dynamic Range Controller) function in AC101 provide an useful digital sound processing capability in DAC playback path to speaker . It is used to attenuate the peak signals and boost the low-level signals by adjusting the output signal gain in some conditions. The DRC functions can be enable or disable in the playback path .

The integrated AGC(Automatic Gain Controller) function can be used to maintain a constant recording level in ADC record path . The DRC can make an improvement in background noise by setting a programmable Noise Gate to attenuate very low-level input signals .

Note: ① The RSB is independent R&D by x-powers, supports a special protocols with a simplified two wire protocol on a push-pull bus. The transfer speed in AC101 can be up to 10MHz .

2. Features

The AC101 features:

- 2 ADCs and 2 DACs @ 24-bit and inter PLL processing with flexible clocking scheme
- Up to 100dB SNR during DAC playback path (A ' weight)
- Up to 95dB SNR during ADC record path (A ' weight)
- Capless stereo headphone driver
 - Integrated charge pump for 0V reference
 - 18mW @1.8V
- Two stereo differential speaker outputs using external amplifier to drive the loud speaker
- Three audio inputs
 - Two differential analog microphone inputs with 30dB~48dB boost amplifier gain
 - One mono differential or single-ended line-in input
- Two low noise analog microphone bias
- Audio jack insert/ button press detection
- TWI/RSB control interface
- 24-bit 8KHz ~ 192KHz I2S/PCM interface
- Support Dynamic Range Controller (DRC) adjusting the DAC playback output
- Support Automatic Gain Control (AGC) adjusting the ADC recording output
- SRC for synchronisation between audio interface or digital audio data mixing
- Soft mute circuit for pop noise suppression
- Support one stereo digital microphone interface
- QFN 40-pin package, 5mm x 5mm

3. Applications

- Tablets
- Box/Player

4. Functional Block Diagram

4.1. Functional Block Diagram

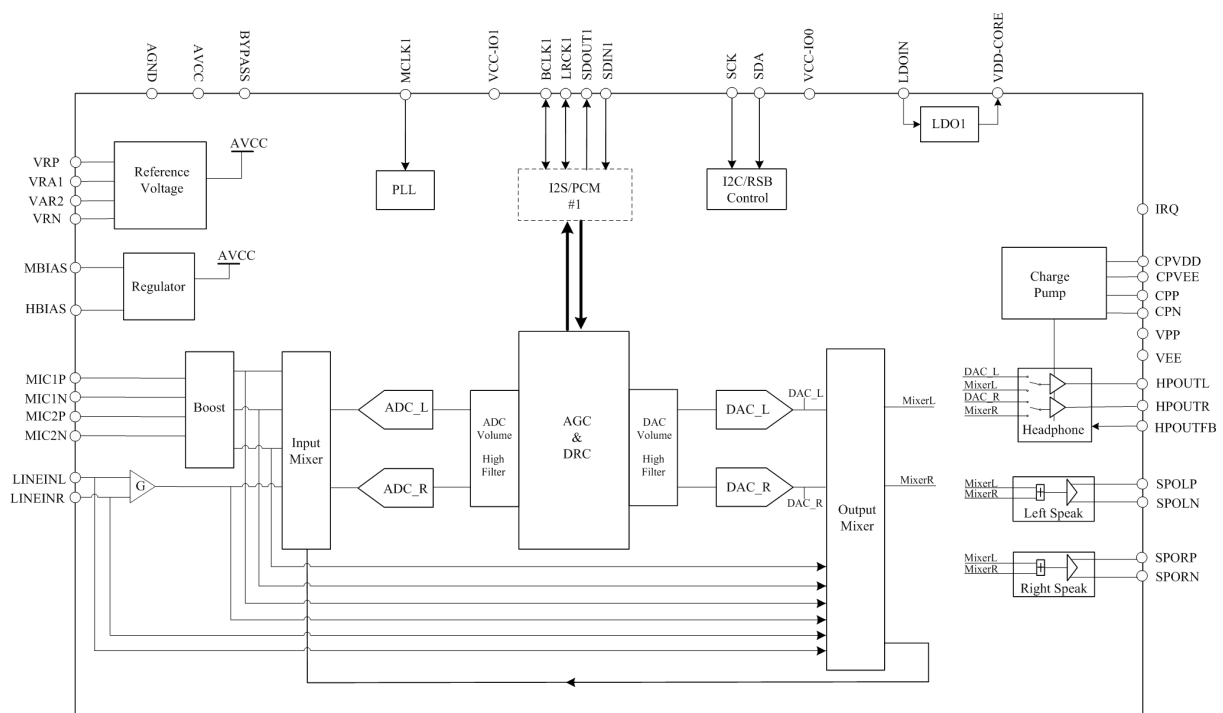


Figure 1 Functional Block Diagram

4.2. Data Path Diagram

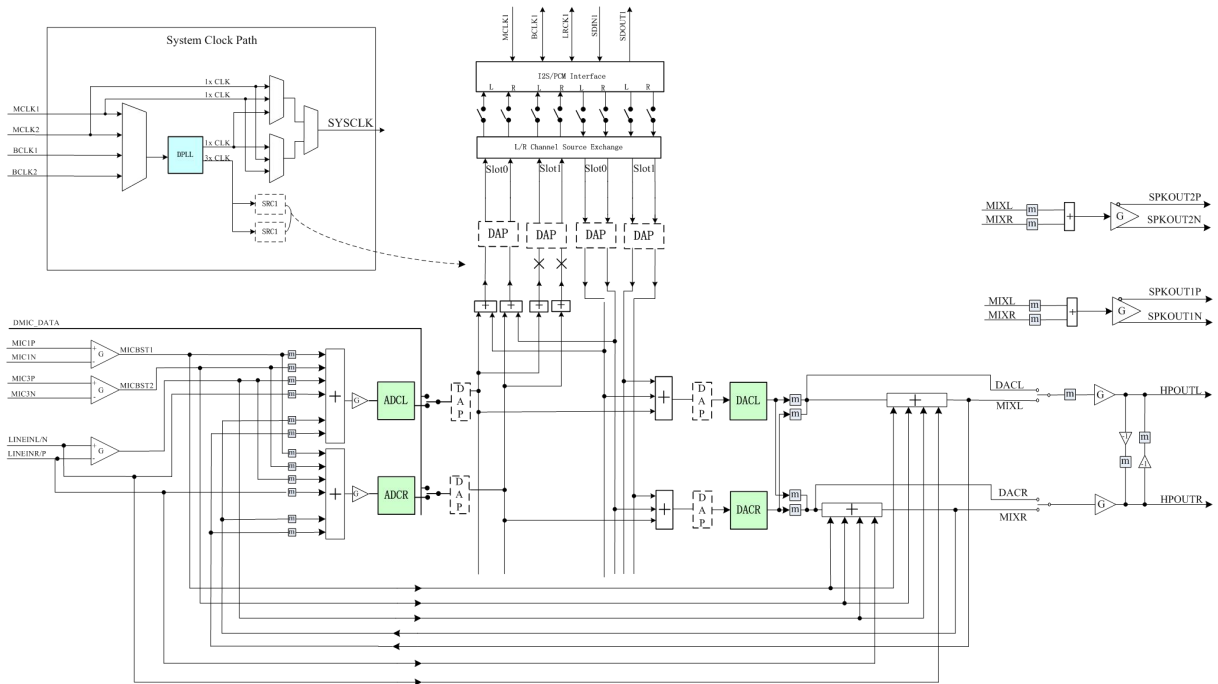


Figure 2 Data Path Diagram

5. Pin Assignment

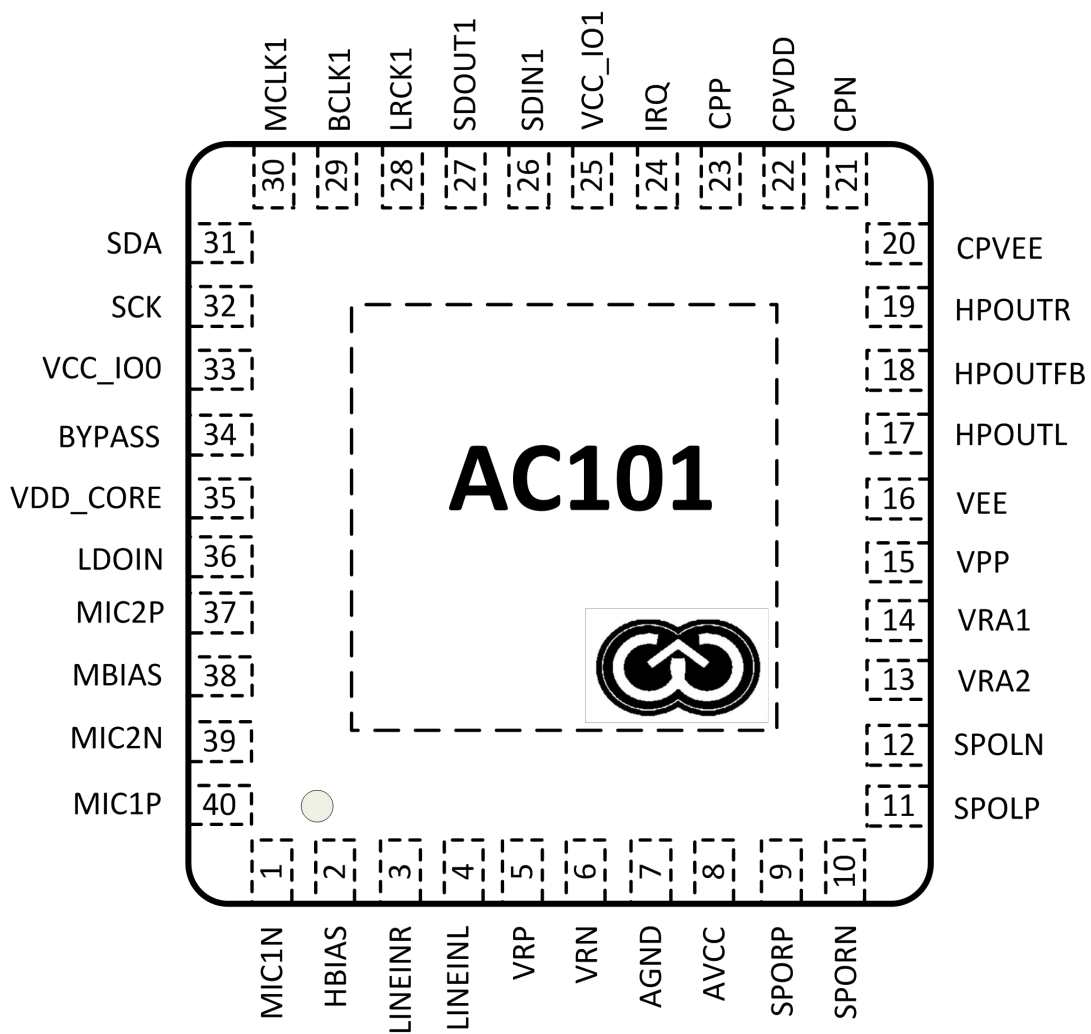
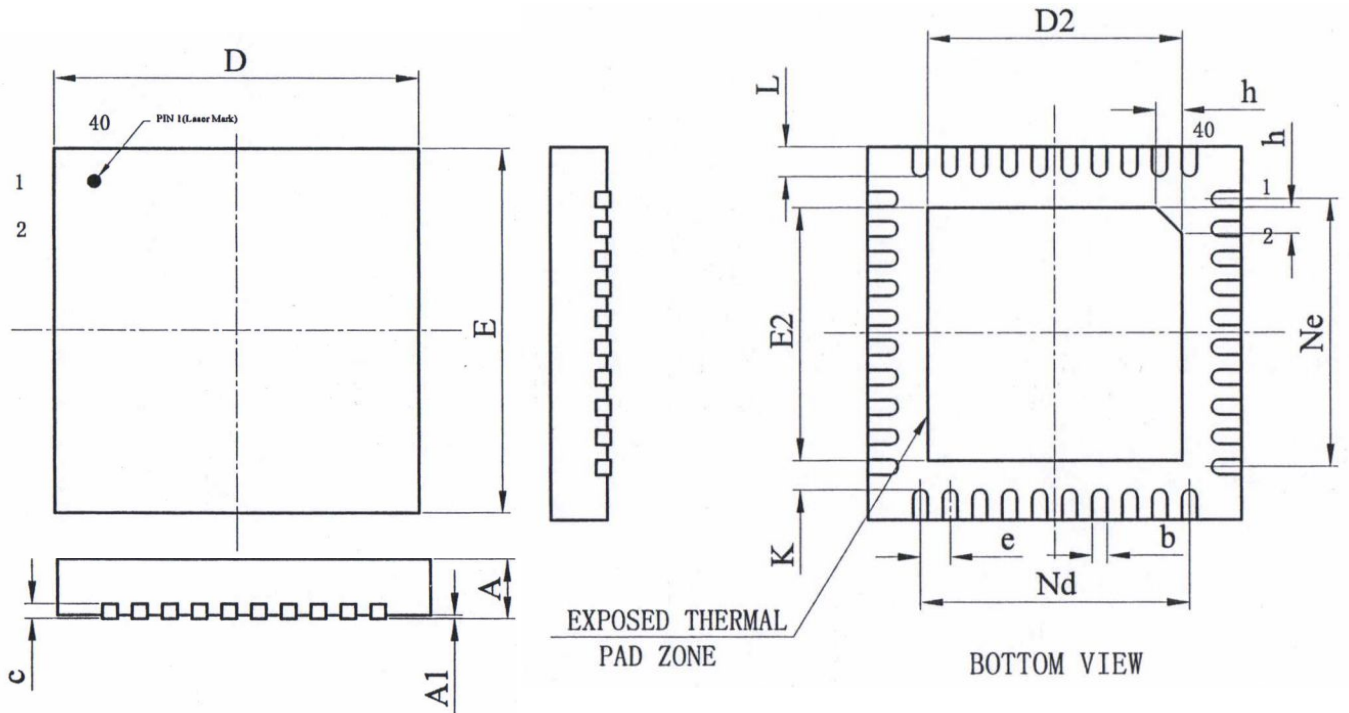


Figure 3 Pin Assignment

6. Package Dimension



SYMBOL	MILLIMETER		
	MIN	NOM	MAX
A	0.70	0.75	0.80
A1	—	0.02	0.05
b	0.15	0.20	0.25
c	0.18	0.20	0.25
D	4.90	5.00	5.10
D2	3.30	3.40	3.50
e	0.40BSC		
Nd	3.60BSC		
E	4.90	5.00	5.10
E2	3.30	3.40	3.50
Ne	3.60BSC		
L	0.35	0.40	0.45
K	0.20	—	—
h	0.30	0.35	0.40
L/F载体尺寸 (mil)	150*150		

Figure 4 Package Dimension

7. Pin/Signal Description

This chapter describes the 68 pins of AC101 from four aspects: pin number, signal name, type, and pin definition. All the pins are classified into four groups, including digital IO pin, analog IO pin, filter/reference, and power/ground.

There are five pin types here: O for output, I for input, I/O for input/output, P for power, and G for ground.

Pin Number	Signal Name	Type	Description
Digital IO Pins			
30	MCLK1	I	I2S interface master input clock
26	SDIN1	I	I2S interface serial data input
27	SDOUT1	O	I2S interface serial data output
29	BCLK1	I/O	I2S interface serial bit clock
28	LRCK1	I/O	I2S interface synchronous clock
31	SDA	I/O	TWI interface serial data(Open-drain) RSB interface serial data
32	SCK	I	TWI interface serial clock input RSB interface serial clock input
24	IRQ	O	IRQ for accessory insert and button detect(Open-drain)
Analog IO Pin			
40	MIC1P	I	Positive differential input for MIC1
1	MIC1N	I	Negative differential input for MIC1
37	MIC2P/ DMICCLK	I O	Analog Positive differential input for MIC2 Digital microphone clock output
39	MIC2N/ DMICDAT	I O	Negative differential input for MIC2 Digital microphone data input
4	LINEINL	I	Left single-end or differential input for LINE-IN
3	LINEINR	I	Right single-end or differential input for LINE-IN
17	HPOUTL	O	Headphone amplifier left channel output
19	HPOUTR	O	Headphone amplifier right channel output
11	SPOLP	O	Differential positive output to speaker1 amplifier
12	SPOLN	O	Differential negative output to speaker1 amplifier
9	SPORP	O	Differential positive output to speaker2 amplifier
10	SPORN	O	Differential negative output to speaker2 amplifier
Filter/Reference			
38	MBIAS	O	First bias voltage output for main microphone
2	HBIAS	O	Second bias voltage output for headset microphone
18	HPOUTFB	I	Pseudo differential headphone ground reference
21	CPN	I/O	Charge pump flying-back capacitor
23	CPP	I/O	Charge pump flying-back capacitor
14	VRA1	O	Internal reference voltage
13	VRA2	O	Internal reference voltage
5	VRP	O	Internal reference voltage
6	VRN	O	Internal reference voltage
Power/Ground			

8	AVCC	P	Analog power
7	AGND	G	Analog ground
22	CPVDD	P	Analog power for headphone charge pump
20	CPVEE	P	Charge pump negative decoupling Pin
15	VPP	P	Headphone PA positive voltage input
16	VEE	P	Headphone PA negative voltage input
35	VDD_CORE	P	Digital power for digital core
33	VCC_IO1	P	Digital power for digital I/O buffer (I2S1)
25	VCC_IO0	P	Digital power for digital I/O buffer (I2C and RSB)
36	LDOIN	P	Input power for Audio_LDO
34	BYPASS	P	Bypass for Digital core
41	GND	G	Digital ground

8. Electrical Characteristics

8.1. Absolute Maximum Ratings

Absolute maximum ratings are stress ratings only. Permanent damage to the device may be caused by continuously operating at or beyond these limits. Device functional operating limits and guaranteed performance specifications are given under electrical characteristics at the test conditions specified.

Symbol	Parameter	MIN	MAX	Unit
LDO_IN	LDO Input power for Audio CODEC	-0.3	3.63	V
VDD_CORE	Digital power for Audio digital core, it can be generate by inner LDO	-0.3	1.32	V
VCC_IO1	Digital power for digital I/O buffer (I2S1)	-0.3	3.63	V
VCC_IO0	Digital power for digital I/O buffer (I2C and RSB)	-0.3	3.63	V
CPVDD	Analog power for headphone charge pump	-0.3	2.0	V
T _A	Operating Ambient Temperature	-20	85	°C
V _{ESD}	ESD	4	--	KV

8.2. Recommended Operating Conditions

Parameter	Description	MIN	TPY	MAX	Unit
LDO_IN	LDO Input power for Audio CODEC	1.35	1.8/1.5	3.63	V
VDD_CORE	Digital power for Audio digital core, it can be generate by inner LDO	1.08	1.2	1.32	V
VCC_IO1	Digital power for digital I/O buffer (I2S1)	--	1.8/3.3	3.63	V
VCC_IO0	Digital power for digital I/O buffer (I2C and RSB)	--	1.8/3.3	3.63	V
CPVDD	Analog power for headphone charge pump	1.2	1.8	1.98	V
GND,AGND	Ground reference	--	0	--	V

8.3. Static Characteristics

Symbol	Parameter	Test condition	Min	Typical	Max	Units
V_{IN}	Input Voltage Range	--	-0.3	--	VCCIO1+0.3 VCCIO2+0.3	V
V_{IH}	High Level Input Voltage	VCCIO=3.0v	2.4	--	3.6	V
		VCCIO=1.8V	1.4	--	1.98	
V_{IL}	Low Level Input Voltage	VCCIO=3.0v	-0.3	--	0.7	V
		VCCIO=1.8V	-0.3	--	0.7	
V_{OH}	High Level Input Voltage	VCCIO=3.0v	2.7	--	NA	V
		VCCIO=1.8V	1.5	--	NA	
V_{OL}	Low Level Input Voltage	VCCIO=3.0v	NA	--	0.4	V
		VCCIO=1.8V	NA	--	0.4	
I_{OZ}	Tri-state Output Leakage Current	--	TBD	TBD	TBD	μ A
C_{IN}	Input Capacitance	--	NA	NA	5	pF
C_{OUT}	Output Capacitance	--	NA	NA	5	pF

9. Analog Performance Characteristics

	PARAMETER	TEST CONDITIONS	MIN	TYP	MAX	UNIT	
DAC Output Path Performance	DAC to Headphone on HPOUTL or HPOUTR(R=10kΩ)						
	FScale Output Level	0dB 1KHz		0.9		Vrms	
	SNR(A-weighted)	0dB 1KHz		100		dB	
	THD+N(NO-Aweight)	0dB 1KHz		-84		dB	
	Crosstalk (L/R)	0dB 1KHz		-88/-88		dB	
	DAC to Headphone on HPOUTL or HPOUTR(R=16Ω)						
	FScale Output Level	0dB 1KHz		0.5		Vrms	
	SNR(A-weighted)	0dB 1KHz		99		dB	
	THD+N(P0=15mW)	0dB 1KHz		-81		dB	
	THD+N(P0=5mW)	0dB 1KHz		-82		dB	
	Crosstalk (L/R)	0dB 1KHz		-82/-82		dB	
	DAC to Headphone on HPOUTL or HPOUTR(R=32Ω)						
	FScale Output Level	0dB 1KHz		0.7		Vrms	
	SNR(A-weighted)	0dB 1KHz		100		dB	
	THD+N(P0=15mW)	0dB 1KHz		-83		dB	
	THD+N(P0=5mW)	0dB 1KHz		-83		dB	
	Crosstalk (L/R)	0dB 1KHz		-86/-86		dB	
	DAC to SPK signal on SPKOUTLP and SPKOUTLN(R=10KΩ)						
	FScale Output Level	0dB 1KHz		1.8		Vrms	
	SNR(A-weighted)	0dB 1KHz		102		dB	
	THD+N	0dB 1KHz		-82		dB	
	DC Offset at load	0dB 1KHz		0.7		mV	
	ADC Input Path Performance	MIC1 /2 to ADC via ADC mixer					
		FScale Input Level	0dB Gain 1KHz		0.5		Vrms
SNR(A-weighted)		-1dB 1KHz, 0dB Gain		96		dB	
THD+N		-1dB 1KHz, 0dB Gain		-85		dB	
SNR(A-weighted)		30mV, 1KHz, 30dB Gain		81		dB	
THD+N		30mV, 1KHz, 30dB Gain		-76		dB	
SNR(A-weighted)		30mV, 1KHz, 39dB Gain		81		dB	
THD+N		30mV, 1KHz, 39dB Gain		-76		dB	
SNR(A-weighted)		10mV, 1KHz, 48dB Gain		73		dB	
THD+N		10mV, 1KHz, 48dB Gain		-72		dB	
LINEIN to ADC via ADC mixer							
FScale Input Level		0dB 1KHz		0.9		Vrms	
SNR(A-weighted)		1KHz		93		dB	
THD+N		1KHz		-85		dB	

	Crosstalk (L/R)	1KHz		-85/-85		dB
Bypass Path Performance	MIC1/2 to Headphone via output mixer					
	FScale Input Level	0dB Gain 1KHz		0.5		Vrms
	SNR(A-weighted)	-1dB 1KHz, 0dB Gain		98		dB
	THD+N	-1dB 1KHz, 0dB Gain		-91		dB
	SNR(A-weighted)	30mV, 1KHz, 30dB Gain		83		dB
	THD+N	30mV, 1KHz, 30dB Gain		-78		dB
	SNR(A-weighted)	30mV, 1KHz, 39dB Gain		83		dB
	THD+N	30mV, 1KHz, 39dB Gain		-79		dB
	SNR(A-weighted)	10mV, 1KHz, 48dB Gain		74		dB
	THD+N	10mV, 1KHz, 48dB Gain		-73		dB
	LINEIN to Headphone via output mixer					
	FScale Input Level	0dB 1KHz		1		Vrms
	SNR(A-weighted)	-1dB 1KHz		98		dB
	THD+N(-1dBFS)	-1dB 1KHz		-92		dB
	Crosstalk (L/R)	-1dB 1KHz		-89/-89		dB

10. Typical Power Consumption

Default Test Conditions:

LDOIN=CPVDD=1.5V,AVCC=3.0V,VCC-IO1=1.8V,VCC-IO0=3.0V

OPERATING MODE	TEST CONDITIONS	LDOIN	AVCC	VCC-IO1	VCC-IO0	CPVDD
LDO enabled XTAL enabled	LDOIN,VCC-IO0 supplies, 32.768KHz clock,	1.8V	3V	1.8V	3V	1.8V
		0uA	0uA	0uA	12uA	0uA
LDO enabled XTAL enabled	All supplies present, No clocks supply, Default register settings	1.8V	3V	1.8V	3V	1.8V
		73uA	62uA	0uA	12uA	0uA
AIF1 to DAC to HPOUT(stereo)	fs=44.1KHz, SYSCLK=MCLK=24.576MHz, 24bit I2S,Slave mode	1.8V	3V	1.8V	3V	1.8V
		1.5mA	4.1mA	0.013mA	12uA	2.4mA
MIC1 to ADC to AIF1(mono)	fs=44.1KHz, SYSCLK=MCLK=24.576MHz, 24bit I2S,Slave mode	1.8V	3V	1.8V	3V	1.8V
		1.4mA	4.5mA	0.023mA	12uA	0mA
Mic1 to Lineout, Linein to Hp,	fs=8 kHz, SYSCLK=MCLK=24.576MHz	1.8V	3V	1.8V	3V	1.8V
		0.75mA	4.1mA	0mA	12uA	2.0mA

11. Function Description

11.1. Power

There are a Power-Reset circuit in AC101 used to reset all the circuit and register to a standby state after power up. The Power-Reset circuit make all the supply power need no specific timing. All the supply voltages are illustrated in the below figure.

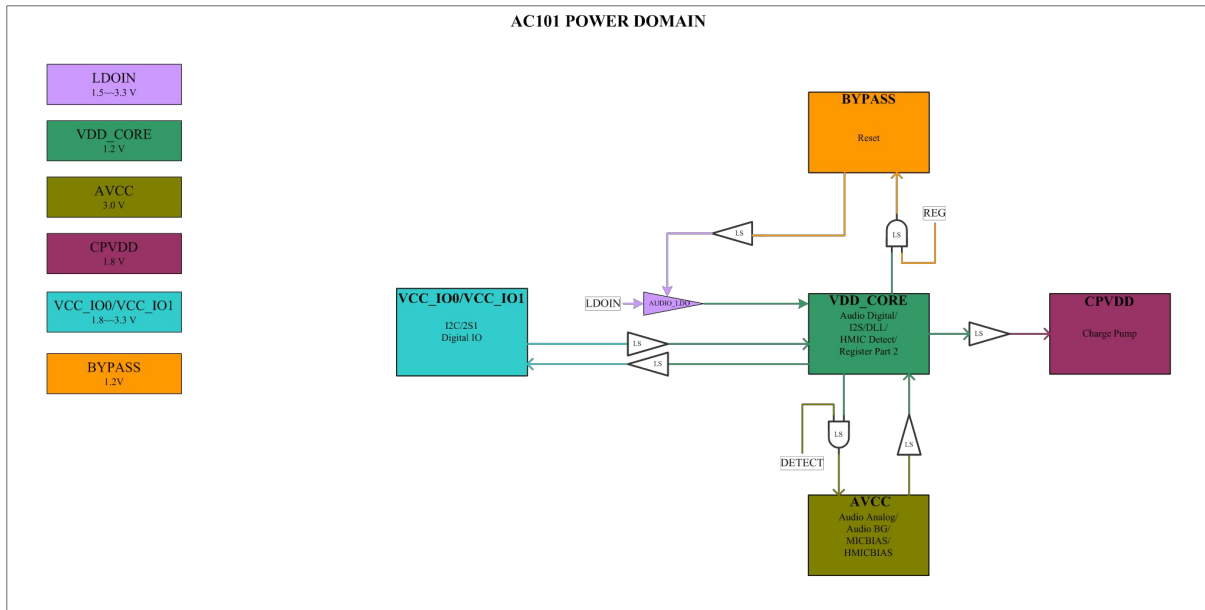


Figure 5 Power Management

VDD-CORE is 1.2V for audio digital core power generated from LODIN pin, which also can be direct supplied from VDD-CORE pin. VDD-IO0 is digital I/O power for I2C/RSB . VDD-IO1 is digital I/O power for I2S1. AVCC is for analog power. CPVDD for charge pump power.

When the AC101 is not working, it need to set the supply properly to prevent power leakage. There are two settings to select. It's best to power off all the supply. The other is to make sure AVCC and CPVDD both power on.

At the setting below, AC101 has the best performance.

LDOIN	VDD_CORE	AVCC	CPVDD	VCC-IO0	VCC-IO1	BYPASS
1.5~3.3 V	1.2 V	3 V	1.8 V	1.8/3.3 V	1.8/3.3 V	1.2 V
Supplied	N/A	Supplied	Supplied	Supplied	Supplied	N/A

* VDD_CORE and BYPASS generated by internal LDO.

11.2. Clock

The system clock(SYSCLK) of AC101 must be $512 * f_s$ ($f_s=48\text{KHz}$ or 44.1KHz). So the system should arrange the divider to generate 24.576MHz for audio clock series of 48KHz or 22.5792MHz for series of 44.1KHz.

SYSCLK is the reference of ADC, DAC, DVC, MIXER, AGC and DRC module. SYSCLK can be selected from I2S1CLK which derived from MCLK1 or PLL. MCLK1 are always provided externally while the PLL reference clock can be select from MCLK1 and BCLK1.

I2S1CLK is the reference of the first I2S clocking zone. In master mode, LRCK and BCLK are derived internally from I2SnCLK. In slave mode, LRCK and SCLK are supplied externally and BCLK can be used as the PLL input reference.

There are also an internal Oscillator to generate a clock signal for direct-path mode. In this mode, the oscillator supply clock to charge pump, adjustment circuit, headphone detect circuite.g... In direct-path case, no external clock need .

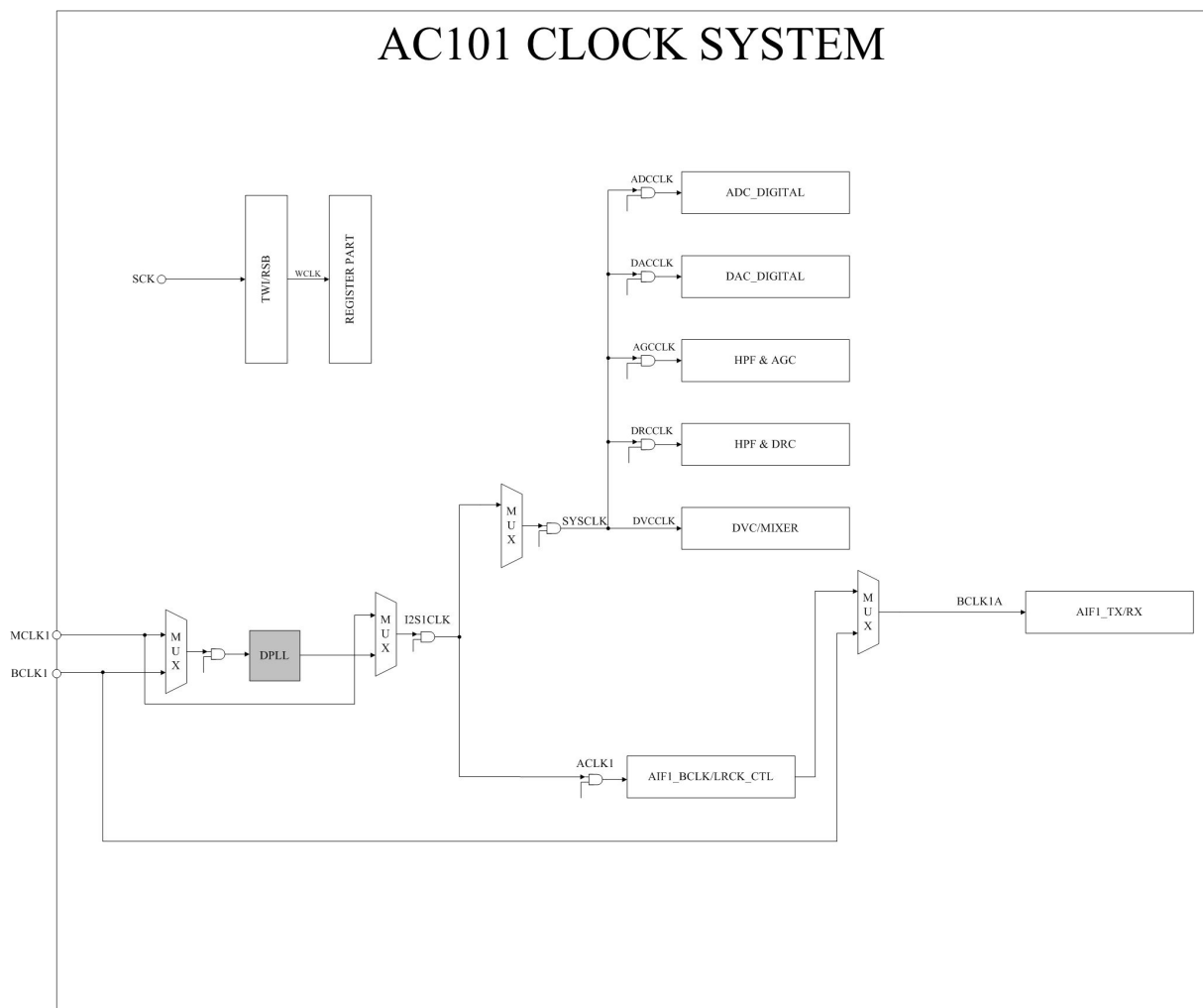


Figure 6 Clocking Management

11.3. PLL

A Phase-Locked Loop(PLL) is used to provide a flexible input clock range from 128KHz to 24MHz. The source of the PLL can be set to MCLK1 or BCLK1 by setting register. The PLL output is always used to provide the system clock(SYSCLK) of AUDIO codec when 24.576MHz or 22.5792MHz can not be provided from MCLK.

The PLL transmit formula as below:

$$F_{OUT} = (F_{IN} * N) / (M * (2K+1)) ; \quad (N = N_i + 0.2 * N_f)$$

Table 1 clock setting for SYSCLK=24.576 MHz

FIN	M	N	K	FOUT
128K	1	576	1	24.576M
192K	1	384	1	24.576M
256K	1	288	1	24.576M
384K	1	192	1	24.576M
...	1	24.576M
6M	25	307.2	1	24.576M
13M	42	238.2	1	24.576M
19.2M	25	96	1	24.576M

Table 2 clock setting for SYSCLK=22.5792 MHz

FIN	M	N	K	FOUT
128K	1	529.2	1	22.5792M
192K	1	352.8	1	22.5792M
256K	1	264.6	1	22.5792M
384K	1	176.4	1	22.5792M
...	1	22.5792M
6M	38	429	1	22.5789M
13M	19	99	1	22.5789M
19.2M	25	88.2	1	22.5792M

11.4. TWI/RSB Interface

AC101 can support two series control interface protocol for writing to or read back from registers on SCK and SDA pins . One is TWI interface, the other is RSB interface. RSB is top-priority for higher efficiency and lower power consumption.

11.4.1. TWI Interface

TWI is a 2-wire (SCK/SDA) half-duplex serial communication interface, supporting only slave mode. SCK is used for clock and SDA is for data. SCK clock supports up to 400 KHz rate and SDA data is a open drain structure.

A master controller initiates the transmission by sending a “start” signal, which is defined as a high-to-low transition at SDA while SCK is high. The first byte transferred is the slave address. It is a 7-bit chip address followed by a R/W bit. The chip address must be 0011010x. The R/W bit indicates the slave data transfer direction. Once an acknowledge bit is received, the data transfer starts to proceed on a byte-by-byte basis in the direction specified by the R/W bit. The master can terminate the communication by generating a “stop” signal, which is defined as a low-to-high transition at SDA while SCK is high.

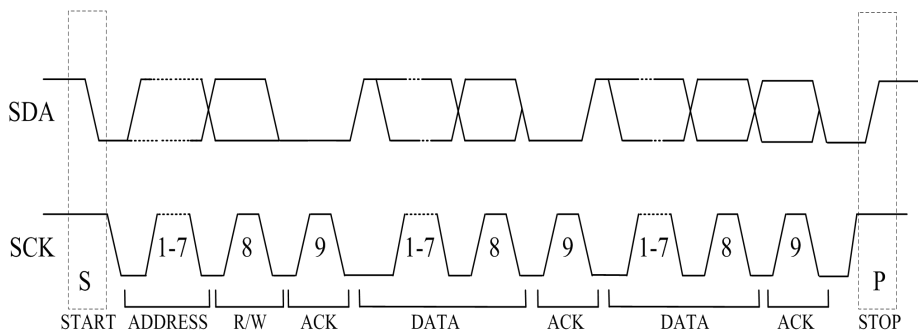
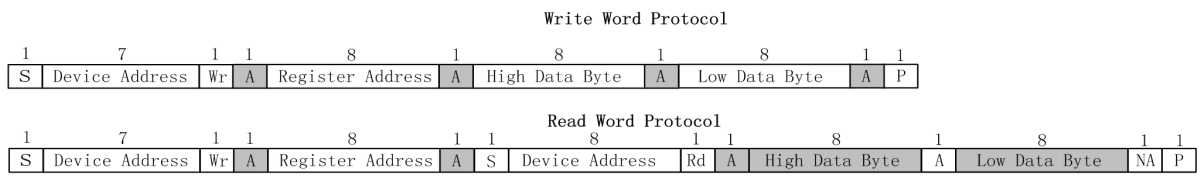


Figure 7 TWI Interface

The formats of “write” and “read” instructions are shown in below.



- S: start Condition
- Slave Address: 7-bit Device Address
- Wr: 0 for Write Command
- Rd: 1 for Read Command
- Command Code: 8-bit Register Address
- A: 0 for ACK, 1for NACK
- Data Byte: 16-bit Mixer data
- : Master-to-Slave
- : Slave-to-Master

Figure 8 TWI Read and Write

11.4.2. RSB Interface

RSB interface supports a special protocols with a simplified two wire protocol on a push-pull bus. So the transfer speed can be up to 10MHz and the performance will be improved much. AC101 works only in slave mode.

RSB support multi-slaves. It uses CK as clock and uses CD to transmit command and data.the Bus Topology is showed below:

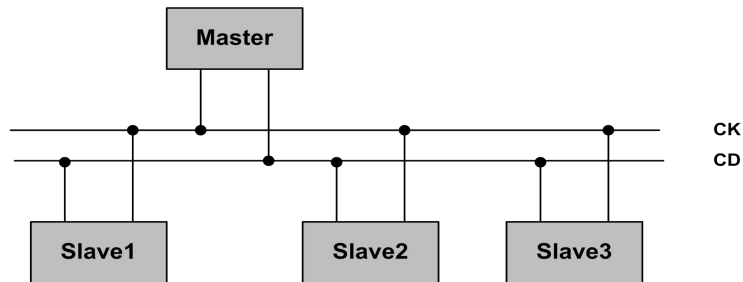


Figure 9 RSB Bus Topology

The start bit marks the beginning of a transaction with the slave device. When CK is high, a change from high to low on CD is defined as a start condition. This start condition notifies the selected device to start a transfer.

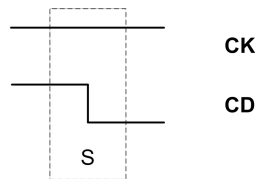


Figure 10 Start signal

RSB protocol uses parity bit to check the correction of every byte, The checked object is the 7, 8 or 15 bit in front of the parity bit.

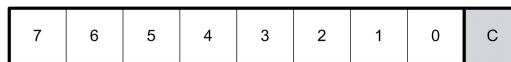


Figure 11 Parity bit

ACK bit is the acknowledgement from device to host, The ACK is active low. When device finds the parity bit is error, it will not send ACK to host, so host can know that an error happens in the transaction.

Set run-time slave address(RTSADDR) command. It is used to set run time slave address(RTSADDR) for different devices in the same system. There are 15 devices in a system at most. The RTSADDR can be selected from the command code set and a device 's RTSADDR can be modified many times by using set run-time slave address command.



Figure 12 RTSADDR command

Read command is used to read data from device. It has byte, half word and word operation. When devices receives the command, they shall check if the command's RTSADDR matches their own RTSADDR. The device's RTSADDR is set by set run-time slave address (RTSADDR) command.



Figure 13 Read command

Write command is used to write data to the devices. It has byte, half word and word operation. When devices receive the command, they shall check if the command's RTSADDR matches their own RTSADDR. The device's RTSADDR is set by set run-time slave address (RTSADDR) command.

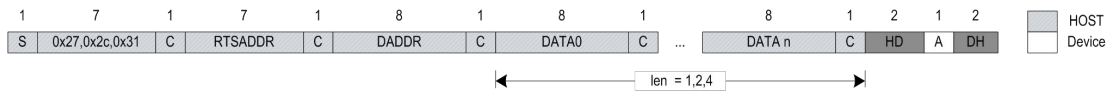


Figure 14 Write command

11.5. I2S/PCM Interface

There are one I2S/PCM interface which can be configured as master mode or slave mode in AC101. In the general case, the digital audio interface uses four pins as below:

- BCLK: Bit clock for data synchronization
- LRCK: Left/Right data alignment clock
- SDOUT: output data for ADC data
- SDIN: input data for DAC data

I2S audio interface support four different data formats as below. On the I2S interface, TDM is available for all four formats and AC101 can use it to transmit or receive up to four channel data on timeslot0 and timeslot1 simultaneously.

- I2S mode
- Left justified mode
- Right justified mode
- PCM short mode

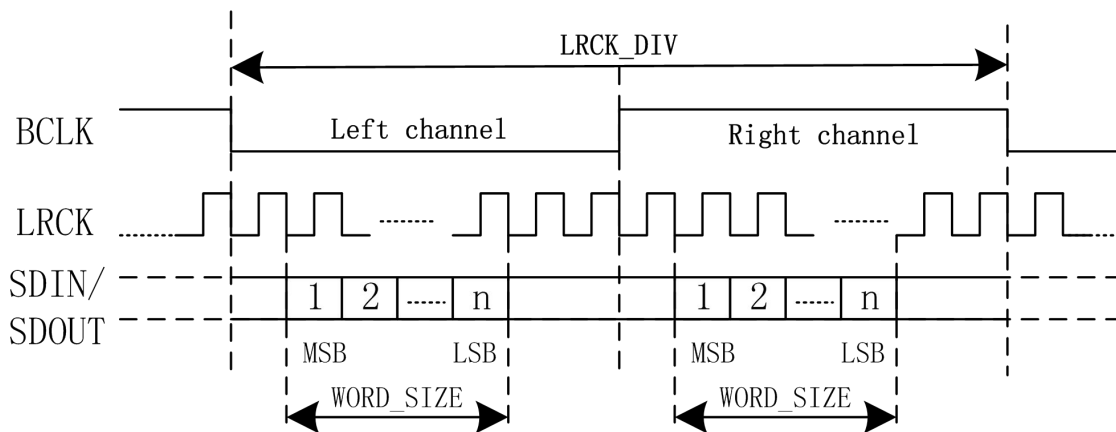


Figure 15 I2S Justified mode

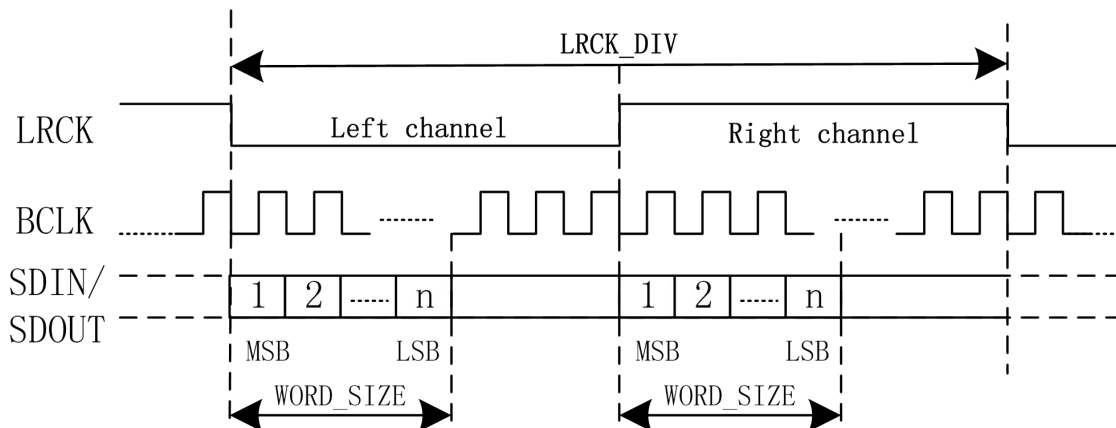


Figure 16 Left Justified mode

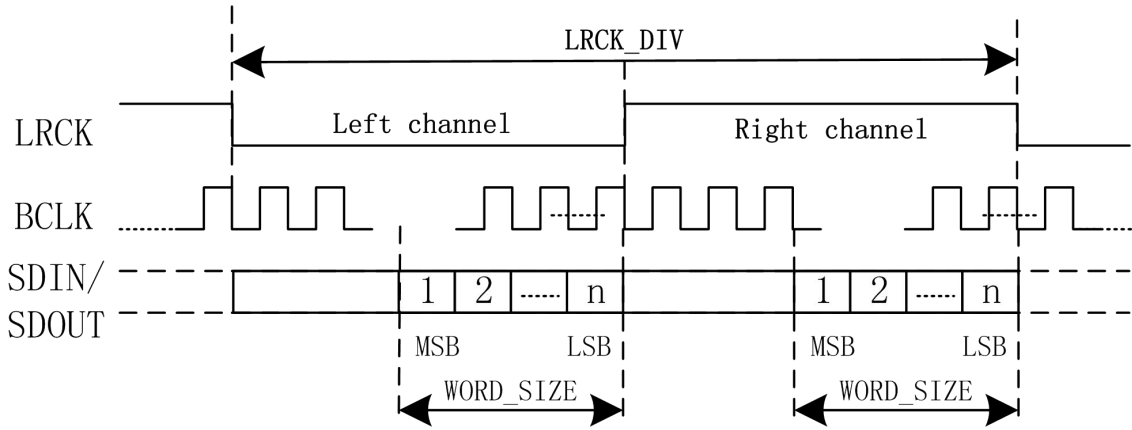


Figure 17 Right Justified mode

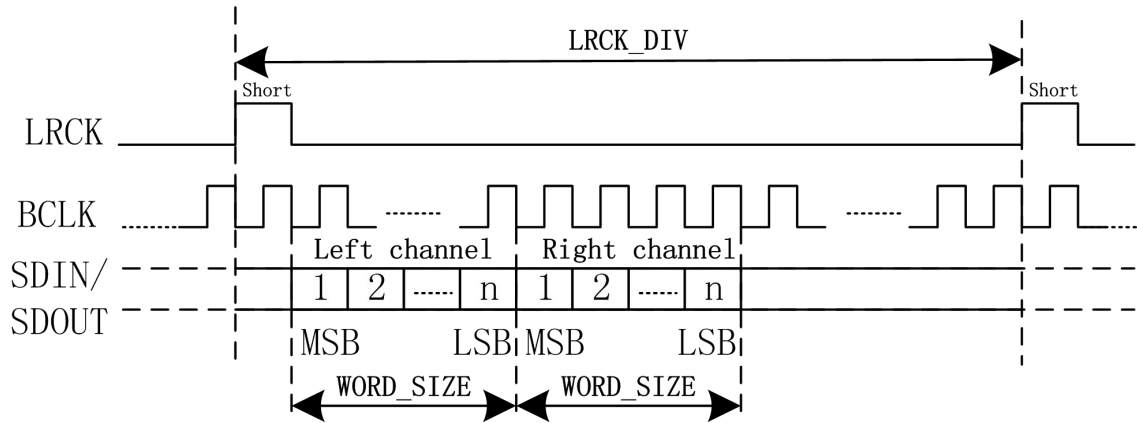


Figure 18 Pcm mode A(LRCK_INV=0)

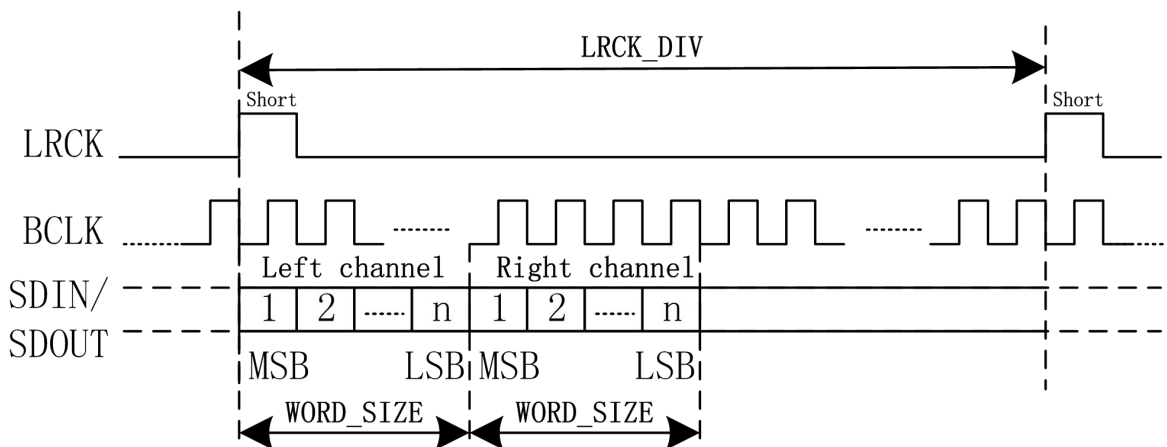


Figure 19 Pcm mode B(LRCK_INV=1)

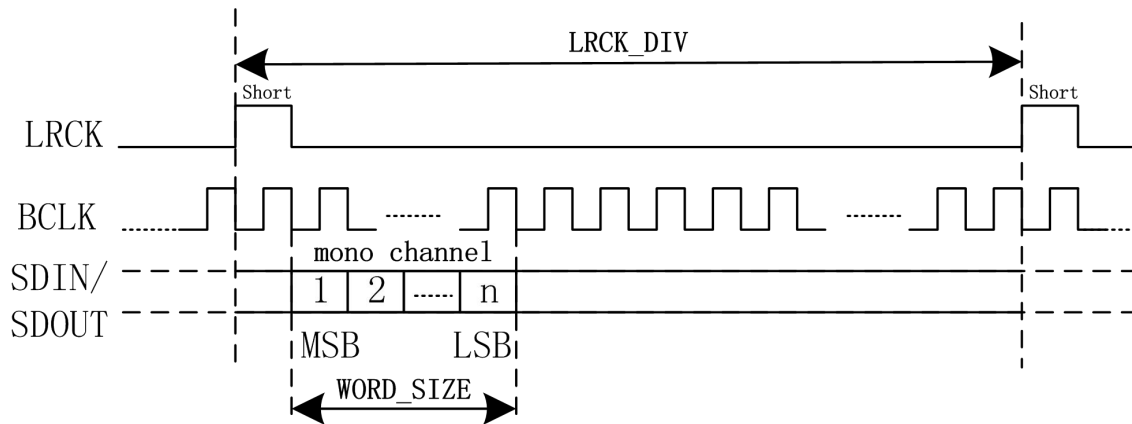


Figure 20 Pcm mode A mono(LRCK_INV=0)

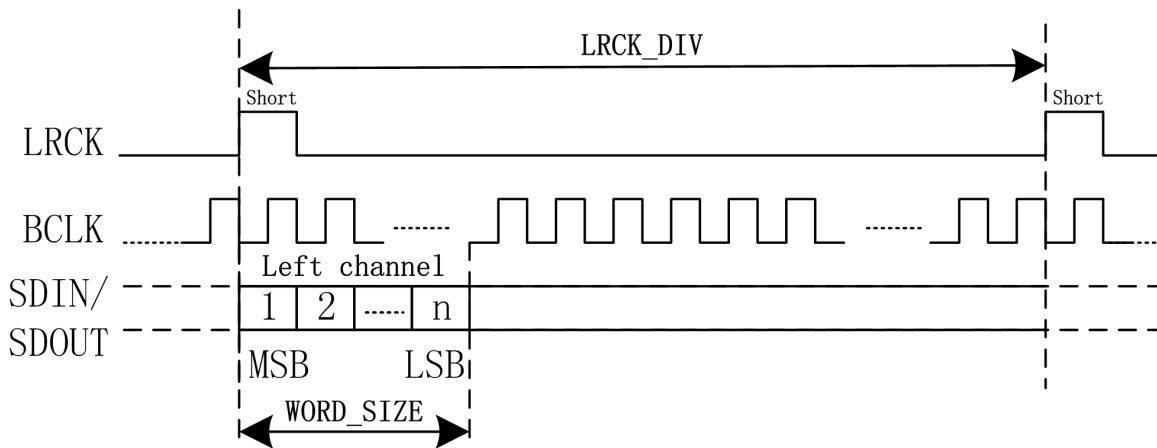


Figure 21 Pcm mode B mono(LRCK_INV=1)

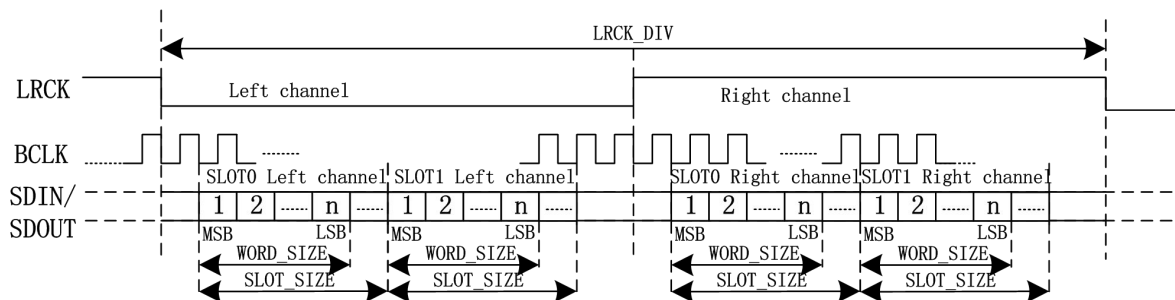


Figure 22 I2S TDM mode

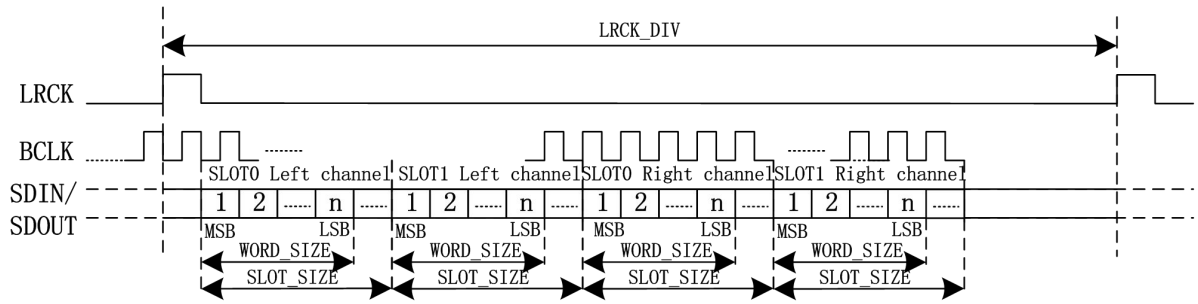


Figure 23 PCM TDM mode

11.6. Stereo ADC

The stereo ADC is used for recording stereo sound. The sample rate of the stereo ADC can not be independent of DAC sample rate. In other words, the stereo ADC and DAC must work at a same sample rate. The sample rate is configured by the register ADDA_FS_I2S1.

In order to save power, the left and right analog ADC part can be enabled/disabled separately by setting register ADC_APC_CTRL Bit15 & Bit11. The digital ADC part can be enabled/disabled by ADC_DIG_CTRL Bit15.

The volume control of the stereo ADC is set via register ADC_APC_CTRL Bit14:12 & ADC_APC_CTRL Bit10:8.

11.7. Stereo DAC

The stereo DAC sample rate is the same as the stereo ADC. The sample rate is configured by the register ADDA_FS_I2S1.

In order to save power, the left and right DAC can be enabled/disabled separately by setting register OMIKER_DACA_CTRL Bit15:14. The digital DAC part can be enabled/ disabled by DAC_DIG_CTRL Bit15.

11.8. Mixer

The Codec supports three series of mixers for all function requirements:

- 2 channels DAC Output mixers
- 2 channels ADC Record mixers
- Digital mixers

11.8.1. DAC Output Mixers

The output mixer is used to drive analogue output, including headphone, earpiece, speaker,lineout. The following signals can be mixed into the output mixer:

- LINEINL/R
- MIC1P/N,MIC2P/N
- Stereo DAC output

11.8.2. ADC Record Mixers

The ADC record mixer is used to mix analog signals as input to the Stereo ADC for recording. The following signals can be mixed into the output mixer:

- LINEINL/R
- MIC1P/N,MIC2P/N
- Stereo DAC output

11.8.3. Digital Mixers

The digital mixers are provided for digital audio data mixing on one I2S path, two ADC output paths and two input paths to the stereo DAC. It's separately controlled by the register I2S1_MXR_SRC and DAC_MXR_SRC.

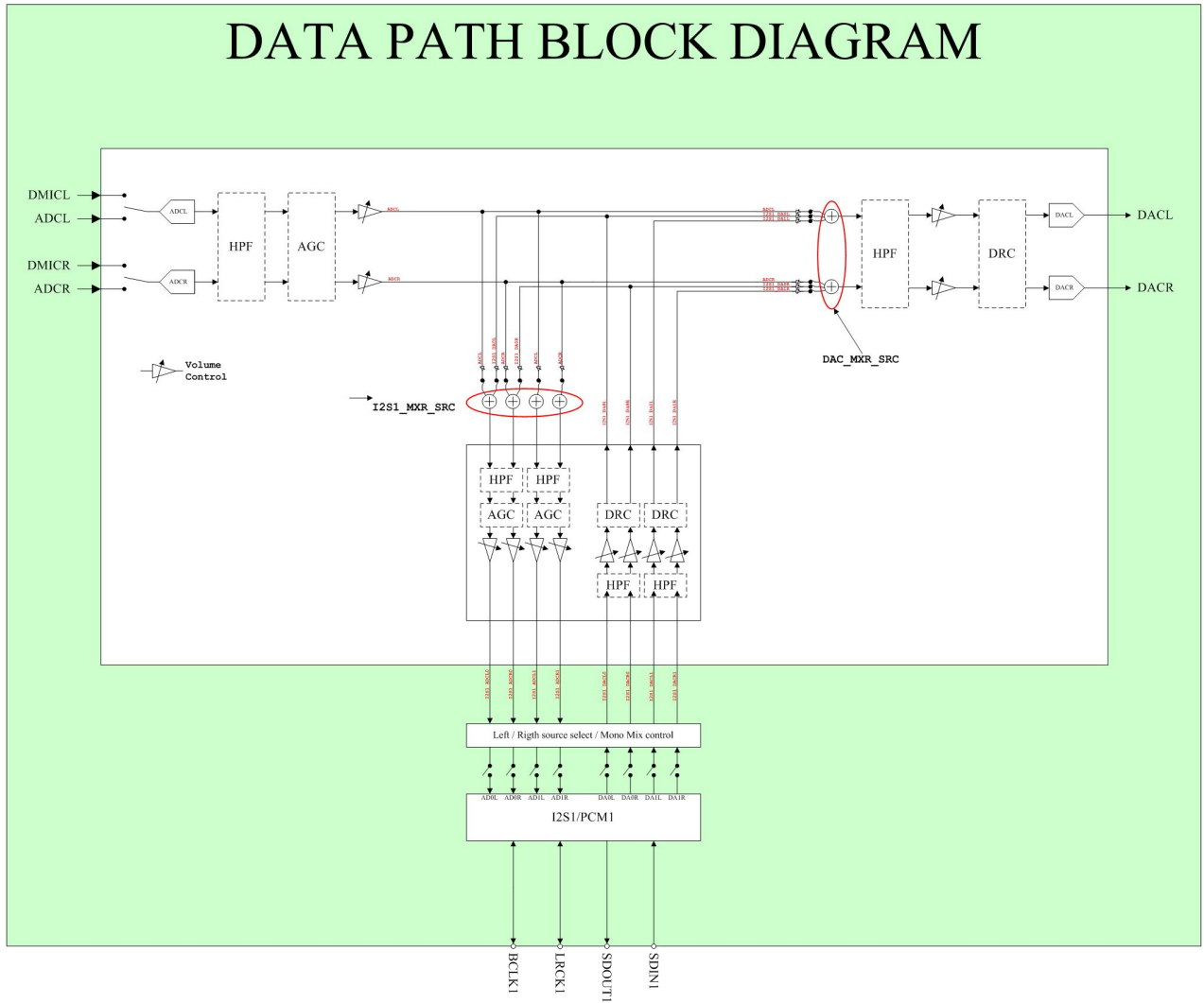


Figure 24 Digital Data Path

11.9. Analogue Audio Input Path

The codec supports five Analogue Audio Input paths:

- LINEINL/R
- MIC1P/N, MIC2P/N

11.9.1. Microphone Input

MICIN1P/N, MICIN2P/N provide differential input that can be mixed into the ADC record mixer, or DAC output mixer. MICIN is high impedance, low capacitance input suitable for connection to a wide range of differential microphones of different dynamics and sensitive. There are two microphone pre-amplifiers for the 2 differential microphone inputs. MICIN1P/N are input to the first pre-amplifier, MICIN2P/N multiplexed as digital pin DMICCLK/DMICDAT are input to the 2nd pre-amplifier. Each microphone pre-amplifier has a separate enable bit, ADC_SRCBST_CTRL Bit15 & Bit11. The gain for each pre-amplifier can be set independently using MIC1BOOST, MIC2BOOST. MBIAS provide reference voltage for electret condenser type(ECM) microphones.

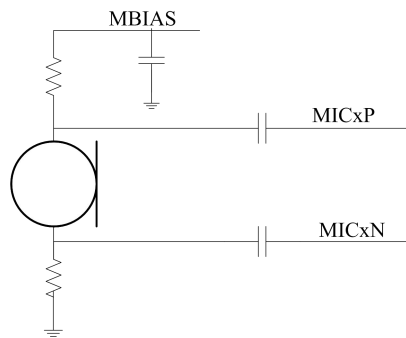


Figure 25 Suggested External Microphone Input

11.9.2. LINEINL/R Input

LINEINL/R provide one-channel mono differential input or stereo single-ended input that can be mixed into the ADC record mixer or the stereo output mixer. The inputs are suited to receiving line level signals such as external audio equipment or baseband module.

When the linein input is set as differential signal input LINEINL-LININR to the ADC or to DAC mixer, the linein gain is logarithmically adjustable from -9dB to 12dB in 1.5dB step by the register LINEIN_DIFF_PREG set.

11.10. Analogue Audio Output Path

The codec supports five Analogue Audio Output paths:

- HPOUTL/R, HPOUTFB
- SPOLP/N
- SPORP/N

11.10.1. Headphone Output

HPOUTL/R provides two-channel single-ended output to headphone driver. The HPOUTL/R PA input source can be selected from output mixer or directly from DAC by register HPOUT_CTRL Bit15 & Bit14 set. It also can be muted by register HPOUT_CTRL Bit13 & Bit12 set. The headphone PA power up or down by register HPOUT_CTRL Bit11 set.

HPOUTL/R can drive a 16R or 32R headphone load without DC capacitors by using Charge Pump to generate the negative rails. HPOUTFB is the ground loop noise rejection feedback. HBIAS provides reference voltage for electret condenser type(ECM) microphones. Audio jack insert/ button press detection function is also provided through measuring the HBIAS current.

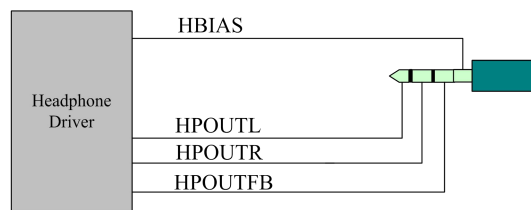


Figure 27 Suggested Headphone Output Application

HPOUTL/R volumes can be independently adjusted under software control using the HP_VOL[5:0] of the headphone output control registers. The adjustment is logarithmic with an 64dB rang in 1dB step from 0dB to -62dB. The headphone outputs can be muted by writing codes 0x0 to HP_VOL[5:0] bits.

There are a DC offset cancellation circuit to remove the headphone output DC offset for preventing POP noise in AC101. The function can be enabled or disabled by the register HP_DCRM_EN. This bit must be set 0xf before headphone PA enabled, and this bit must be set 0x0 before headphone PA disabled.

A zero cross detect circuit is provided at the input to the headphones under the control of the ZCROSS_EN bit . Using these controls the volume control values are only updated when the input signal to the gain stage is close to the analogue ground level. This minimizes and audible clicks and zipper noise as the gain values are changed or the device muted.

11.10.2. Speaker Output

SPOLP/N, SPORP/N provides two differential output without internal speaker amplifier. Using external amplifier, a stereo speakers can be implemented. The SPOLP/N input source can be selected from left output mixer or (left+right) output mixer. The SPORP/N input source can be selected from right output mixer or (left+right) output mixer. So in mono speaker application, The best choice for SPOLP/N or

SPORP/N input source is selected from (left+right) output mixer avoiding sound loss. The volume control is logarithmic with an 43.5dB rang in 1.5dB step from -43.5dB to 0dB. The left and right speaker output buffer can independently power up or down by register SPKOUT_CTRL Bit11 & Bit7 set.

11.11. Digital Microphone Interface

AC101 supports a stereo digital microphone interface. The DMICCLK/ DMICDAT pins are multiplexed on the MIC3P/MIC3N pins. The circuit share decimation filter with audio ADC. And DMICCLK can be output 128fs ($f_s = \text{ADC sample rate}$).

Digital Microphone power usually falls between the range 1.6V-3.6V, typical 1.8V. And the Clock frequency is between the the range 1.0MHz-3.25MHz, typical 2.4MHz.

Digital Microphone Block Diagram as below:

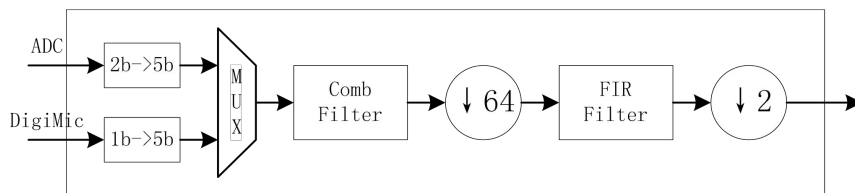


Figure 28 Digital Microphone Block Diagram

Digital Microphone timing as below:

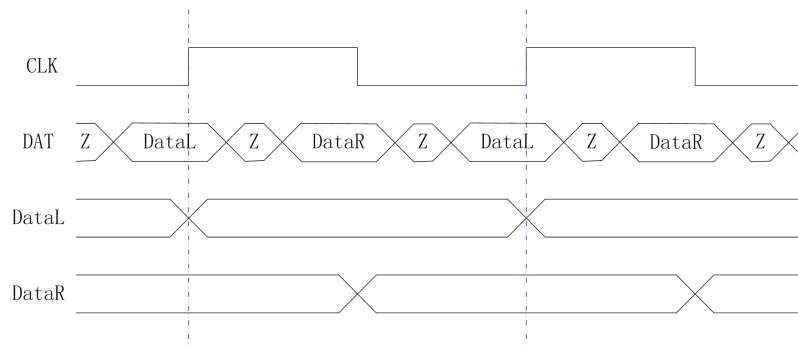


Figure 29 Digital Microphone timing

Digital Microphone application as below:

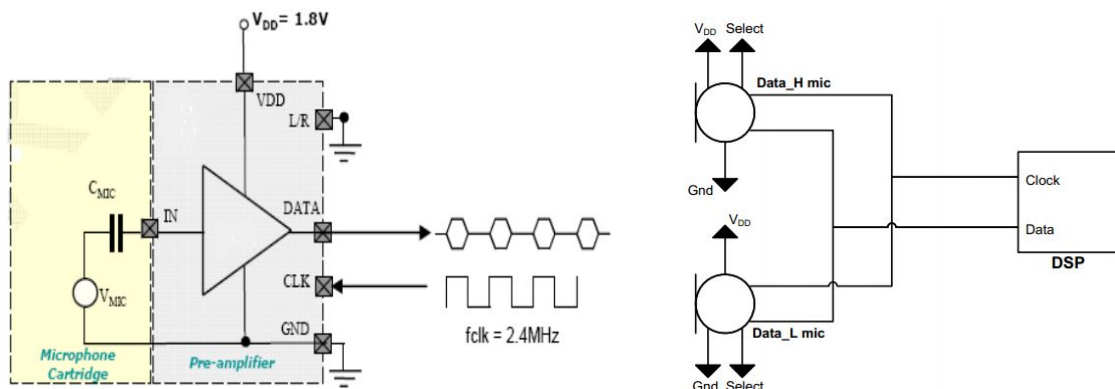


Figure 30 Digital Microphone Application

11.12. Audio Jack Detect

The microphone bias output pin HBIAS provide a low noise reference voltage suitable for biasing electrets type microphones and the associated external resistor biasing network. Hbias is designed to drive headset microphone, and a bias current detect function is provided for external accessory detection by measuring the Hbias current. In some application, it's used to detect the insertion/removal of a audio jack and the button press. These events will cause a significant change in bias current flow, which can be detected and used to generate a signal to the processor.

When HBIAS current detect is enabled, 5 bit ADC will send out sample data at 16/32/64/128Hz clock rate. Digital logic trigger an interrupt event controlled by register setting when the data is changed.

The digital circuit generate five IRQ signals that can be disabled by register, the data from ADC can be read from register HMIC_STATUS Bit12:8.

IRQ Timing Diagram:

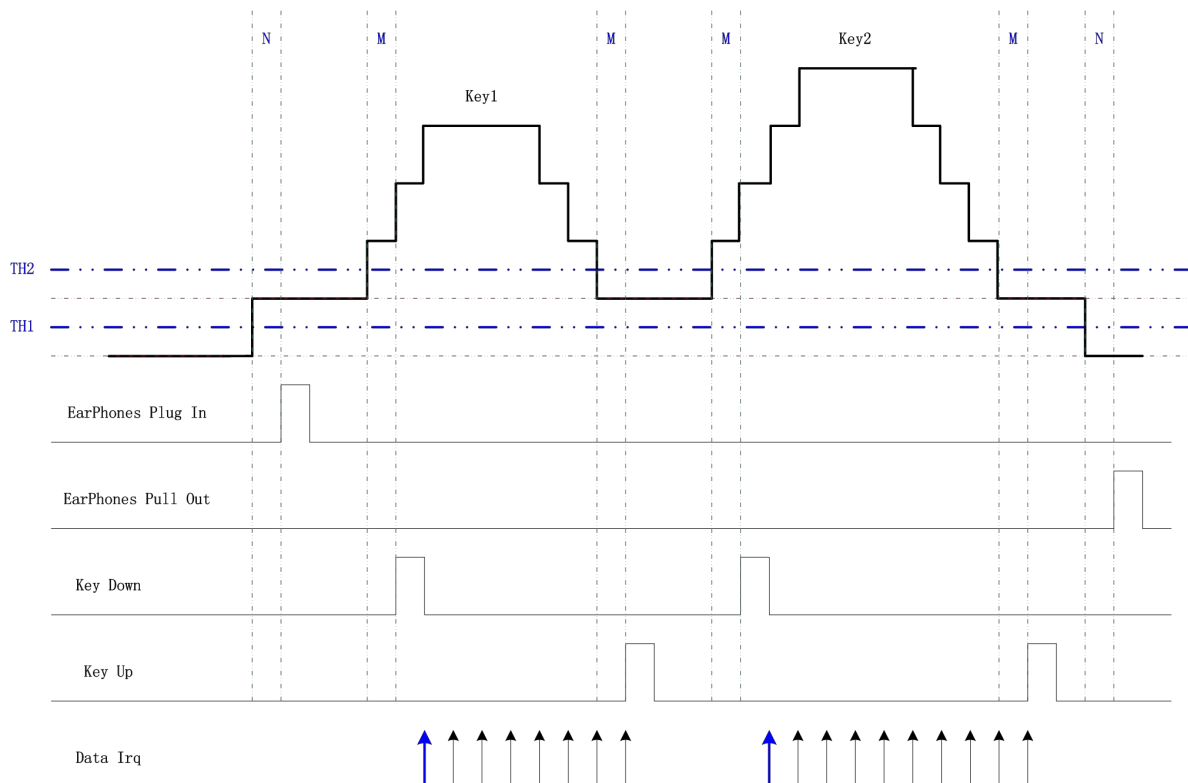


Figure 31 HBIAS Detect IRQ Timing Diagram

11.13. Interrupt

The Interrupt circuits in AC101 generate an Interrupt (IRQ) event to enable the detection of audio jack status. The Interrupt pin IRQ_AUDIO is open-drain. It's usually drives a high level voltage via the external pull-up resistor while it output a low level when the IRQ is active.

It supports the following triggered events illustrated in the figure below:

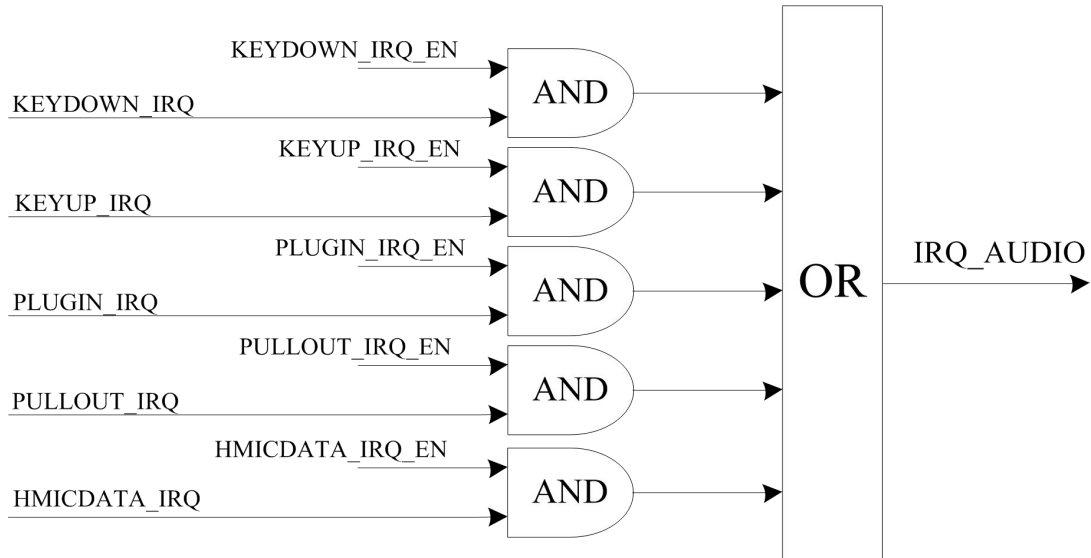


Figure 32 Interrupt trigger Diagram

11.14.1. High Pass Filter

The DAP has individual channel high pass filter that can be enabled and disabled. The filter cutoff frequency is less than 1Hz.

$$H(z) = \frac{1 - z^{-1}}{1 - az^{-1}}$$

11.14.2. Dynamic Range Control

The dynamic range control(DRC) can be enabled in the digital playback path of AC101. It automatically adjusts the wide volume gain to flatten volume level.

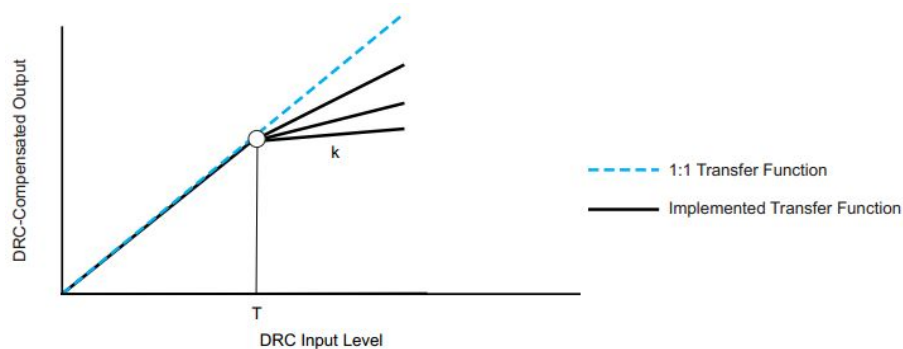


Figure 41 DRC Response Characteristic

The DRC supports the main feature below:

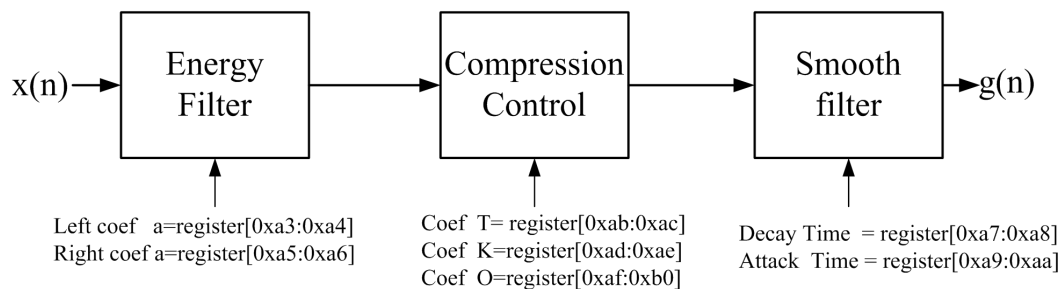


Figure 42 DRC Block and Register Control

- Adjustable threshold, offset, and compression levels
- Programmable energy coefficient, attack, and decay time constants
- Transparent compression: Compressors can attack fast enough to avoid apparent clipping before engaging, and decay times can be set slow enough to avoid pumping.

◆ DRC parameter setting

Numbers formatted as N.M numbers means that there are N bits to the left of the decimal point including the sign bit and M bits to the right of the decimal point. For example, Numbers formatted 3.24 means that there are 3 bits at the left of the decimal point and 24 bits at the right decimal point.

◆ **Energy Filter**

The Energy Filter is to estimate of the RMS value of the audio data stream into DRC, and has two parameters, which determine the time window over which RMS to be made. The parameter is computed by

$$\alpha = 1 - e^{-2.2T_s/ta}$$

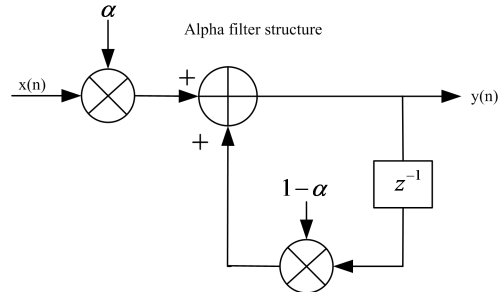


Figure 43 Energy Filter Structure

◆ **Compression Control**

This element has three parameters (T, K, O), which are all programmable, and the computation will be explained as below:

T parameter (Threshold Parameter Computation)

The threshold is the value that determines the signal to be compressed or not. When the signal’s RMS is larger than the threshold, the signal will be compressed. The value of threshold input to the coefficient register is computed by

$$T_{in} = -\frac{T_{dB}}{6.0206}$$

There, T_{dB} must less than zero, the positive value is illegal.

For example, it desired to set the T=-30dB, then $T_{in} = -\frac{-30}{6.0206} = 4.982$, and the 8.24 format of the T_{in} is 0x04FB_9ED0.

K parameter (Slope Parameter Computation)

The K is the slope within compression region. For example, a n:1 compression means that an output increase 1dB as RMS input increase n dB. The k input to the coefficient register is computed by

$$k = \frac{1}{n} - 1$$

There, n is from 1 to 50, and must be integer.

For example, for n=5, the $k = \frac{1}{5} - 1 = -0.8$, and the 3.24 format of the k is 0x733_3333

O parameter (Offset Parameter Computation)

The O is the offset of the compression static curve. The offset input to the coefficient register is computed by $O_{in} = 10^{O/20}$

There, O is -24dB to 24dB.

For example, it desired to set $O=6\text{dB}$, then $O_{in} = 10^{6/20} = 1.995$, and the 5.24 format of the O_{in} is 0x1FE_C982.

◆ Gain Smooth Filter

The Gain Smooth Filter is to smooth the gain and control the ratio of gain increase and decrease. The decay time and attack is shown in Figure 5. The structure of the Gain Smooth filter is also the Alpha filter, so the rise time computation is the same as the Energy filter which is

$$\alpha = 1 - e^{-2.2Ts/ta}$$

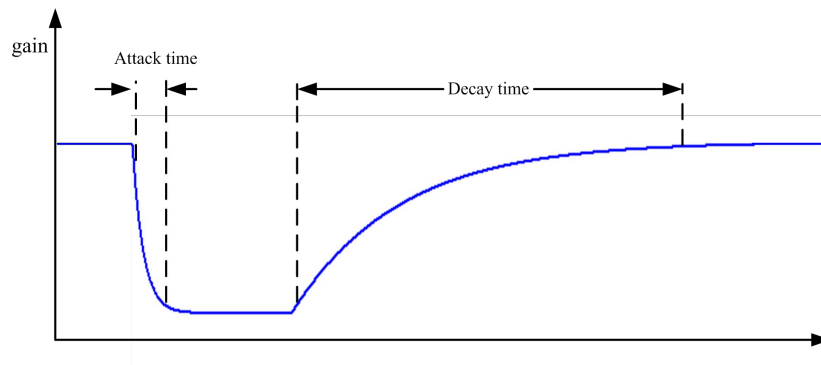


Figure 44 Smooth Filter Characteristic

12. Register List

Register Name	Offset	Description
CHIP_AUDIO_RST	00H	Chip Soft Reset
PLL_CTRL1	02H	PLL Configure Control 1
PLL_CTRL2	03H	PLL Configure Control 2
SYSCLK_CTRL	04H	System Clocking Control
MOD_RST_CTRL	05H	Module Clock Enable Control
ADDA_SR_CTRL	06H	ADDA Sample Rate Configuration
I2S1LCK_CTRL	10H	I2S1 BCLK/LRCK Control
I2S1_SDIN_CTRL	11H	I2S1 SDIN Control
I2S1_SDOOUT_CTRL	12H	I2S1 SDOOUT Control
I2S1_DIG_MIXER	13H	I2S1 Digital Mixer Control
I2S1_VOL_CTRL1	14H	I2S1 Volume Control 1
I2S1_VOL_CTRL2	15H	I2S1 Volume Control 2
I2S1_VOL_CTRL3	16H	I2S1 Volume Control 3
I2S1_VOL_CTRL4	17H	I2S1 Volume Control 4
I2S1_MXR_GAIN	18H	I2S1 Digital Mixer Gain Control
ADC_DIG_CTRL	40H	ADC Digital Control
TBD

Reg 00h_Chip Soft Reset Register

Default: 0x0101			Register Name: CHIP_AUDIO_RST
Bit	Read/Write	Default	Description
15:0	R/W	0x0101	Writing to this register resets all register to their default state. Reading from this register will indicate device type and version.

Reg 01h_PLL Configure Control 1 Register

Default: 0x0141			Register Name: PLL_CTRL1
Bit	Read/Write	Default	Description
15:14	R/W	0x0	DPLL_DAC_BIAS 00: min 11: max
13:8	R/W	0x1	PLL_POSTDIV_M PLL Post-Divider Factor M Factor=0, M=64 Factor=1, M=1 ... Factor=63, M=63
7	R/W	0x0	Reserved
6	R/W	0x1	Close_loop. 1: work as a PLL. 0: work as a free running VCO at a pre-fixed frequency.
5:0	R/W	0x1	INT Integ[5:0], the loop bandwidth config. 0: works as free running mode. 1: small bandwidth, need more time to lock. 63: large bandwidth, need less time to lock, but may result in failing.

Reg 02h_PLL Configure Control 2 Register

Default: 0x0000			Register Name: PLL_CTRL2
Bit	Read/Write	Default	Description
15	R/W	0x0	PLL_EN PLL Enable 0: Disable 1: Enable The PLL output FOUT= FIN*N/(M*(2K+1)), N=N _i +N _f ;
14	R	0x0	PLL Locked status 0: Not locked or not enabled 1: Enabled and locked
13:4	R/W	0x0	PLL_PREDIV_NI PLL Integer Part of Pre-Divider Factor N. Factor=0, N _i =0 ; Factor=1, N _i =1 ; ... Factor=1023, N _i =1023 ;
3	/	/	/
2:0	R/W	0x0	PLL_POSTDIV_NF PLL Fractional Part of Pre-Divider Factor N. Factor=0, N _f =0*0.2 ; Factor=1, N _f =1*0.2 ; ... Factor=7, N _f =7*0.2 ;

Reg 03h_System Clocking Control Register

Default: 0x0000			Register Name: SYSCLK_CTRL
Bit	Read/Write	Default	Description
15	R/W	0x0	PLLCLK_ENA PLLCLK Enable 0: Disable 1: Enable
14	R/W	0x0	Reserved
13:12	R/W	0x0	PLLCLK_SRC PLL Clock Source Select 00: MCLK1 01: Reserved 10: BCLK1 11: Reserved
11	R/W	0x0	I2S1CLK_ENA I2S1CLK Enable 0: Disable 1: Enable
10	R/W	0x0	Reserved

9:8	R/W	0x0	I2S1CLK_SRC I2S1CLK Source Select 00: MLCK1 01: Reserved 1X: PLL
7:4	R/W	0x0	Reserved
3	R/W	0x0	SYSCLK_ENA SYSCLK Enable 0: Disable 1: Enable
2:0	R/W	0x0	Reserved

Reg 04h _Module Clock Enable Control Register

Default: 0x0000			Register Name: MOD_CLK_ENA
Bit	Read/Write	Default	Description
15:0	R/W	0x0	Module clock enable control 0-Clock disable 1-Clock enable BIT15-I2S1 BIT14-Reserved BIT13-Reserved BIT12-Reserved BIT11-Reserved BIT10-Reserved BIT9-Reserved BIT8-Reserved BIT7-HPF & AGC BIT6-HPF & DRC BIT5-Reserved BIT4-Reserved BIT3-ADC Digital BIT2-DAC Digital BIT1-Reserved BIT0-Reserved

Reg 05h _Module Reset Control Register

Default: 0x0000			Register Name: MOD_RST_CTRL
Bit	Read/Write	Default	Description
15:0	R/W	0x0	Module reset control 0-Reset asserted 1-Reset de-asserted BIT15-I2S1 BIT14-Reserved BIT13-Reserved BIT12-Reserved BIT11-Reserved

			BIT10-Reserved BIT9-Reserved BIT8-Reserved BIT7-HPF & AGC BIT6-HPF & DRC BIT5-Reserved BIT4-Reserved BIT3-ADC Digital BIT2-DAC Digital BIT1-Reserved BIT0-Reserved
--	--	--	--

Reg 06h_ADDA Sample Rate Configuration Register

Default: 0x0000			Register Name: I2S_SR_CTRL
Bit	Read/Write	Default	Description
15:12	R/W	0x0	ADDA_FS_I2S1 ADDA Sample Rate synchronised with I2S1 clock zone 0000: 8KHz 0001: 11.025KHz 0010: 12KHz 0011: 16KHz 0100: 22.05KHz 0101: 24KHz 0110: 32KHz 0111: 44.1KHz 1000: 48KHz 1001: 96KHz 1010: 192KHz Other: Reserved
11:0	R/W	0x0	Reserved

Reg 10h_I2S1 BCLK/LRCK Control Register

Default: 0x0000			Register Name: I2S1LCK_CTRL
Bit	Read/Write	Default	Description
15	R/W	0x0	I2S1_MSTR_MOD I2S1 Audio Interface mode select 0 = Master mode 1 = Slave mode
14	R/W	0x0	I2S1_BCLK_INV I2S1 BCLK Polarity 0: Normal 1: Inverted
13	R/W	0x0	I2S1_LRCK_INV I2S1 LRCK Polarity 0: Normal 1: Inverted

12:9	R/W	0x0	<p>I2S1_BCLK_DIV</p> <p>Select the I2S1CLK/BCLK1 ratio</p> <p>0000: I2S1CLK/1</p> <p>0001: I2S1CLK/2</p> <p>0010: I2S1CLK/4</p> <p>0011: I2S1CLK/6</p> <p>0100: I2S1CLK/8</p> <p>0101: I2S1CLK/12</p> <p>0110: I2S1CLK/16</p> <p>0111: I2S1CLK/24</p> <p>1000: I2S1CLK/32</p> <p>1001: I2S1CLK/48</p> <p>1010: I2S1CLK/64</p> <p>1011: I2S1CLK/96</p> <p>1100: I2S1CLK/128</p> <p>1101: I2S1CLK/192</p> <p>1110: Reserved</p> <p>1111: Reserved</p>
8:6	R/W	0x0	<p>I2S1_LRCK_DIV</p> <p>Select the BCLK1/LRCK ratio</p> <p>000: 16</p> <p>001: 32</p> <p>010: 64</p> <p>011: 128</p> <p>100: 256</p> <p>1xx: Reserved</p>
5:4	R/W	0x0	<p>I2S1_WORD_SIZ</p> <p>I2S1 digital interface word size</p> <p>00: 8bit</p> <p>01: 16bit</p> <p>10: 20bit</p> <p>11: 24bit</p>
3:2	R/W	0x0	<p>I2S1_DATA_FMT</p> <p>I2S digital interface data format</p> <p>00: I2S mode</p> <p>01: Left mode</p> <p>10: Right mode</p> <p>11: DSP mode</p>
1	R/W	0x0	<p>DSP_MONO_PCM</p> <p>DSP Mono mode select</p> <p>0: Stereo mode select</p> <p>1: Mono mode select</p>
0	R/W	0x0	<p>I2S1_TDMM_ENA</p> <p>I2S1 TDM Mode enable</p> <p>0: Disable</p> <p>1: Enable</p>

Reg 11h_I2S1 SDOUT Control Register

Default: 0x0000			Register Name: I2S1_SDOUT_CTRL
Bit	Read/Write	Default	Description
15	R/W	0x0	I2S1_ADCL0_ENA I2S1 ADC Timeslot 0 left channel enable 0: Disable 1: Enable
14	R/W	0x0	I2S1_ADCR0_ENA I2S1 ADC Timeslot 0 right channel enable 0: Disable 1: Enable
13	R/W	0x0	I2S1_ADCL1_ENA I2S1 ADC Timeslot 1 left channel enable 0: Disable 1: Enable
12	R/W	0x0	I2S1_ADCR1_ENA I2S1 ADC Timeslot 1 right channel enable 0: Disable 1: Enable
11:10	R/W	0x0	I2S1_ADCL0_SRC I2S1 ADC Timeslot 0 left channel data source select 00: I2S1_ADCL0 01: I2S1_ADCR0 10: (I2S1_ADCL0+ I2S1_ADCR0) 11: (I2S1_ADCL0+ I2S1_ADCR0)/2
9:8	R/W	0x0	I2S1_ADCR0_SRC I2S1 ADC Timeslot 0 right channel data source select 00: I2S1_ADCR0 01: I2S1_ADCL0 10: (I2S1_ADCL0+I2S1_ADCR0) 11: (I2S1_ADCL0+I2S1_ADCR0)/2
7:6	R/W	0x0	I2S1_ADCL1_SRC I2S1 ADC Timeslot 1 left channel data source select 00: I2S1_ADCL1 01: I2S1_ADCR1 10: (I2S1_ADCL1+I2S1_ADCR1) 11: (I2S1_ADCL1+I2S1_ADCR1)/2
5:4	R/W	0x0	I2S1_ADCR1_SRC I2S1 ADC Timeslot 1 right channel data source select 00: I2S1_ADCR1 01: I2S1_ADCL1L 10: (I2S1_ADCL1+I2S1_ADCR1) 11: (I2S1_ADCL1+I2S1_ADCR1)/2
3	R/W	0x0	I2S1_ADCP_ENA I2S1 ADC Companding enable(8-bit mode only) 0: Disable

			1: Enable
2	R/W	0x0	I2S1_ADCP_SEL I2S1ADC Companding mode select 0: A-law 1: u-law
1:0	R/W	0x0	I2S1_SLOT_SIZ Select the slot size(only in TDM mode) 00: 8 01: 16 10: 32 11: Reserved

Reg 12h_I2S1 SDIN Control Register

Default: 0x0000			Register Name: I2S1_SDIN_CTRL
Bit	Read/Write	Default	Description
15	R/W	0x0	I2S1_DACL0_ENA I2S1 DAC Timeslot 0 left channel enable 0: Disable 1: Enable
14	R/W	0x0	I2S1_DACR0_ENA I2S1 DAC Timeslot 0 right channel enable 0: Disable 1: Enable
13	R/W	0x0	I2S1_DACL1_ENA I2S1 DAC Timeslot 1 left channel enable 0: Disable 1: Enable
12	R/W	0x0	I2S1_DACR1_ENA I2S1 DAC Timeslot 1 right channel enable 0: Disable 1: Enable
11:10	R/W	0x0	I2S1_DACL0_SRC I2S1 DAC Timeslot 0 left channel data source select 00: I2S1_DACL0 01: I2S1_DACR0 10: (I2S1_DACL0+I2S1_DACR0) 11: (I2S1_DACL0+I2S1_DACR0)/2
9:8	R/W	0x0	I2S1_DACR0_SRC I2S1 DAC Timeslot 0 right channel data source select 00: I2S1_DACR0 01: I2S1_DACL0 10: (I2S1_DACL0+I2S1_DACR0) 11: (I2S1_DACL0+I2S1_DACR0)/2
7:6	R/W	0x0	I2S1_DACL1_SRC I2S1 DAC Timeslot 1 left channel data source select 00: I2S1_DACL1 01: I2S1_DACR1

			10: (I2S1_DACL1+I2S1_DACR1) 11: (I2S1_DACL1+I2S1_DACR1)/2
5:4	R/W	0x0	I2S1_DACR1_SRC I2S1 DAC Timeslot 1 right channel data source select 00: I2S1 DACR1 01: I2S1 DAACL1 10: (I2S1 DAACL1+I2S1 DACR1) 11: (I2S1 DAACL1+I2S1 DACR1)/2
3	R/W	0x0	I2S1_DACP_ENA I2S1 DAC Companding enable(8-bit mode only) 00: Disable 01: Enable
2	R/W	0x0	I2S1_DACP_SEL I2S1 DAC Companding mode select 0: A-law 1: u-law
1	R/W	0x0	Reserved
0	R/W	0x0	I2S1_LOOP_ENA I2S1 loopback enable 0: No loopback 1: Loopback(SDOOUT1 data output to SDOOUT1 data input)

Reg 13h_I2S1 Digital Mixer Source Select Register

Default: 0x0000			Register Name: I2S1_MXR_SRC
Bit	Read/Write	Default	Description
15:12	R/W	0x0	I2S1_ADCL0_MXL_SRC I2S1 ADC Timeslot 0 left channel mixer source select 0: Disable 1: Enable Bit15: I2S1_DA0L data Bit14: Reserved Bit13: ADCL data Bit12: Reserved
11:8	R/W	0x0	I2S1_ADCR0_MXR_SRC I2S1 ADC Timeslot 0 right channel mixer source select 0: Disable 1: Enable Bit11: I2S1_DA0R data Bit10: Reserved Bit9: ADCR data Bit8: Reserved
7:6	R/W	0x0	I2S1_ADCL1_MXR_SRC I2S1 ADC Timeslot 1 left channel mixer source select 0: Disable 1: Enable Bit7: Reserved Bit6: ADCL data
5:4	R/W	0x0	Reserved
3:2	R/W	0x0	I2S1_ADCR1_MXR_SRC

			I2S1 ADC Timeslot 1 right channel mixer source select 0: Disable 1: Enable Bit3: Reserved Bit2: ADCR data
1:0	R/W	0x0	Reserved

Reg 14h_I2S1 Volume Control 1 Register

Default: 0xA0A0			Register Name: I2S1_VOL_CTRL1
Bit	Read/Write	Default	Description
15:8	R/W	0xA0	I2S1_ADCL0_VOL I2S1 ADC Timeslot 0 left channel volume (-119.25dB To 71.25dB, 0.75dB/Step) 0x00: Mute 0x01: -119.25dB 0x9F = -0.75dB 0xA0 = 0dB 0xA1 = 0.75dB 0xFF = 71.25dB
7:0	R/W	0xA0	I2S1_ADCR0_VOL I2S1 ADC Timeslot 0 right channel volume (-119.25dB To 71.25dB, 0.75dB/Step) 0x00: Mute 0x01: -119.25dB 0x9F = -0.75dB 0xA0 = 0dB 0xA1 = 0.75dB 0xFF = 71.25dB

Reg 15h_I2S1 Volume Control 2 Register

Default: 0xA0A0			Register Name: I2S1_VOL_CTRL2
Bit	Read/Write	Default	Description
15:8	R/W	0xA0	I2S1_ADCL1_VOL I2S1 ADC Timeslot 1 left channel volume (-119.25dB To 71.25dB, 0.75dB/Step) 0x00: Mute 0x01: -119.25dB 0x9F = -0.75dB 0xA0 = 0dB 0xA1 = 0.75dB 0xFF = 71.25dB

7:0	R/W	0xA0	I2S1_ADCR1_VOL I2S1 ADC Timeslot 1 right channel volume (-119.25dB To 71.25dB, 0.75dB/Step) 0x00: Mute 0x01: -119.25dB 0x9F = -0.75dB 0xA0 = 0dB 0xA1 = 0.75dB 0xFF = 71.25dB
-----	-----	------	---

Reg 16h_I2S1 Volume Control 3 Register

Default: 0xA0A0			Register Name: I2S1_VOL_CTRL3
Bit	Read/Write	Default	Description
15:8	R/W	0xA0	I2S1_DACL0_VOL I2S1 DAC Timeslot 0 left channel volume (-119.25dB To 71.25dB, 0.75dB/Step) 0x00: Mute 0x01: -119.25dB 0x9F = -0.75dB 0xA0 = 0dB 0xA1 = 0.75dB 0xFF = 71.25dB
7:0	R/W	0xA0	I2S1_DACR0_VOL I2S1 DAC Timeslot 0 right channel volume (-119.25dB To 71.25dB, 0.75dB/Step) 0x00: Mute 0x01: -119.25dB 0x9F = -0.75dB 0xA0 = 0dB 0xA1 = 0.75dB 0xFF = 71.25dB

Reg 17h_I2S1 Volume Control 4 Register

Default: 0xA0A0			Register Name: I2S1_VOL_CTRL4
Bit	Read/Write	Default	Description
15:8	R/W	0xA0	I2S1_DACL1_VOL I2S1 DAC Timeslot 1 left channel volume (-119.25dB To 71.25dB, 0.75dB/Step) 0x00: Mute 0x01: -119.25dB

			<p>.....</p> <p>0x9F = -0.75dB</p> <p>0xA0 = 0dB</p> <p>0xA1 = 0.75dB</p> <p>.....</p> <p>0xFF = 71.25dB</p>
7:0	R/W	0xA0	<p>I2S1_DACR1_VOL</p> <p>I2S1 DAC Timeslot 1 right channel volume (-119.25dB To 71.25dB, 0.75dB/Step)</p> <p>0x00: Mute</p> <p>0x01: -119.25dB</p> <p>.....</p> <p>0x9F = -0.75dB</p> <p>0xA0 = 0dB</p> <p>0xA1 = 0.75dB</p> <p>.....</p> <p>0xFF = 71.25dB</p>

Reg 18h_I2S1 Digital Mixer Gain Control Register

Default: 0x0000			Register Name: I2S1_MXR_GAIN
Bit	Read/Write	Default	Description
15:12	R/W	0x0	<p>I2S1_ADCL0_MXR_GAIN</p> <p>I2S1 ADC Timeslot 0 left channel mixer gain control</p> <p>0: 0dB 1: -6dB</p> <p>Bit15: I2S1_DA0L data</p> <p>Bit14: Reserved</p> <p>Bit13: ADCL data</p> <p>Bit12: Reserved</p>
11:8	R/W	0x0	<p>I2S1_ADCR0_MXR_GAIN</p> <p>I2S1 ADC Timeslot 0 right channel mixer gain control</p> <p>0: 0dB 1: -6dB</p> <p>Bit11: I2S1_DA0R data</p> <p>Bit10: Reserved</p> <p>Bit9: ADCR data</p> <p>Bit8: Reserved</p>
7:6	R/W	0x0	<p>I2S1_ADCL1_MXR_GAIN</p> <p>I2S1 ADC Timeslot 1 left channel mixer gain control</p> <p>0: 0dB 1: -6dB</p> <p>Bit7: Reserved</p> <p>Bit6: ADCL data</p>
5:4	R/W	0x0	Reserved
3:2	R/W	0x0	<p>I2S1_ADCR1_MXR_GAIN</p> <p>I2S1 ADC Timeslot 1 right channel mixer gain control</p> <p>0: 0dB 1: -6dB</p> <p>Bit3: Reserved</p> <p>Bit2: ADCR data</p>
1:0	R/W	0x0	Reserved

Reg 40h_ADC Digital Control Register

Default: 0x0000			Register Name: ADC_DIG_CTRL
Bit	Read/Write	Default	Description
15	R/W	0x0	ENAD ADC Digital part enable 0: Disable 1: Enable
14	R/W	0x0	ENDM Digital microphone enable 0: Analog ADC mode 1: Digital microphone mode
13	R/W	0x0	ADFIR32 Enable 32-tap FIR filter 0: 64-tap 1: 32-tap
12:4	R/W	0x0	Reserved
3:2	R/W	0x0	ADOUT_DTS ADC Delay Time For transmitting data after ENAD 00:5ms 01:10ms 10:20ms 11:30ms
1	R/W	0x0	ADOUT_DLY ADC Delay Function enable for transmitting data after ENAD 0: Disable 1: Enable
0	R/W	0x0	Reserved

Reg 41h_ADC Volume Control Register

Default: 0xA0A0			Register Name: ADC_VOL_CTRL
Bit	Read/Write	Default	Description
15:8	R/W	0xA0	ADC_VOL_L ADC left channel volume (-119.25dB To 71.25dB, 0.75dB/Step) 0x00: Mute 0x01: -119.25dB 0x9F = -0.75dB 0xA0 = 0dB 0xA1 = 0.75dB 0xFF = 71.25dB
7:0	R/W	0xA0	ADC_VOL_R ADC left channel volume

			(-119.25dB To 71.25dB, 0.75dB/Step) 0x00: Mute 0x01: -119.25dB 0x9F = -0.75dB 0xA0 = 0dB 0xA1 = 0.75dB 0xFF = 71.25dB
--	--	--	---

Reg 44h_HMIC Control 1 Register

Default: 0x0000			Register Name: HMIC_CTRL1
Bit	Read/Write	Default	Description
15:12	R/W	0x0	HMIC_M debounce when Key down or key up
11:8	R/W	0x0	HMIC_N debounce when earphone plug in or pull out
7	R/W	0x0	HMIC_DATA_IRQ_MODE Hmic Data Irq Mode Select 0: Hmic data irq once after key down 1: Hmic data irq from key down, util key up
6:5	R/W	0x0	HMIC_TH1_HYSTERESIS Hmic Hysteresis Threshold1 00: no Hysteresis 01: Pull Out when Data <= (Hmic_th2-1) 10: Pull Out when Data <= (Hmic_th2-2) 11: Pull Out when Data <= (Hmic_th2-3)
4	R/W	0x0	HMIC_PULLOUT_IRQ_EN Hmic Earphone Pull out Irq Enable 00: disable 11: enable
3	R/W	0x0	HMIC_PLUGIN_IRQ_EN Hmic Earphone Plug in Irq Enable 00: disable 11: enable
2	R/W	0x0	HMIC_KEYUP_IRQ_EN Hmic Key Up Irq Enable 00: disable 11: enable
1	R/W	0x0	HMIC_KEYDOWN_IRQ_EN Hmic Key Down Irq Enable 00: disable 11: enable
0	R/W	0x0	HMIC_DATA_IRQ_EN Hmic Data Irq Enable 0: disable 1: enable

Reg 45h_HMIC Control 2 Register

Default: 0x0000	Register Name: HMIC_CTRL2
-----------------	---------------------------

Bit	Read/Write	Default	Description
15:14	R/W	0x0	HMIC_SAMPLE_SELECT Down Sample Setting Select 00: Down by 1, 128Hz 01: Down by 2, 64Hz 10: Down by 4, 32Hz 11: Down by 8, 16Hz
13	R/W	0x0	HMIC_TH2_HYSTERESIS Hmic Hysteresis Threshold2 0: no Hysteresis 1: Key Up when Data <= (Hmic_th2-1)
12:8	R/W	0x0	HMIC_TH2 Hmic_th2 for detecting Key down or Key up.
7:6	R/W	0x0	HMIC_SF Hmic Smooth Filter setting 00: by pass 01: (x1+x2)/2 10: (x1+x2+x3+x4)/4 11: (x1+x2+x3+x4+ x5+x6+x7+x8)/8
5	R/W	0x0	KEYUP_CLEAR Key Up Irq Pending bit auto clear when Key Down Irq 0: don't clear 1: auto clear
4:0	R/W	0x0	HMIC_TH1 Hmic_th1[4:0], detecting eraphone plug in or pull out.

Reg 46h_HMIC Status Register

Default: 0x0000			Register Name: HMIC_STATUS
Bit	Read/Write	Default	Description
15:13	R/W	0x0	Reserved
12:8	R	0x0	HMIC_DATA HMIC Average Data
7:5	R/W	0x0	Reserved
4	R/W	0x0	HMIC_PULLOUT_PENDING Hmic Earphone Pull out Irq pending bit, write 1 to clear 0: No Pending Interrupt 1: Pull out Irq Pending Interrupt
3	R/W	0x0	HMIC_PLUGIN_PENDING Hmic Earphone Plug in Irq pending bit, write 1 to clear 0: No Pending Interrupt 1: Plug in Irq Pending Interrupt
2	R/W	0x0	HMIC_KEYUP_PENDING Hmic Key Up Irq pending bit, write 1 to clear 0: No Pending Interrupt 1: Key up Irq Pending Interrupt
1	R/W	0x0	HMIC_KEYDOWN_PENDING Hmic Key Down Irq pending bit, write 1 to clear

			0: No Pending Interrupt 1: Key down Irq Pending Interrupt
0	R/W	0x0	HMIC_DATA_PENDING Hmic Data Irq pending bit, write 1 to clear 0: No Pending Interrupt 1: Data Irq Pending Interrupt

Reg 48h_DAC Digital Control Register

Default: 0x0000			Register Name: DAC_DIG_CTRL
Bit	Read/Write	Default	Description
15	R/W	0x0	ENDA. DAC Digital Part Enable 0: Disabe 1: Enable
14	R/W	0x0	ENHPF HPF Function Enable 0: Enable 1: Disable
13	R/W	0x0	DAFIR32 Enable 32-tap FIR filter 0: 64-tap 1: 32-tap
12	R/W	0x0	Reserved
11:8	R/W	0x0	MODQU Internal DAC Quantization Levels Levels= $[7*(21+MODQU[3:0])]/128$ Default levels= $7*21/128=1.15$
7:0	R/W	0x0	Reserved

Reg 49h_DAC Volume Control Register

Default: 0xA0A0			Register Name: DAC_VOL_CTRL
Bit	Read/Write	Default	Description
15:8	R/W	0xA0	DAC_VOL_L DAC left channel volume (-119.25dB To 71.25dB, 0.75dB/Step) 0x00: Mute 0x01: -119.25dB 0x9F = -0.75dB 0xA0 = 0dB 0xA1 = 0.75dB 0xFF = 71.25dB
7:0	R/W	0xA0	DAC_VOL_R DAC right channel volume

			(-119.25dB To 71.25dB, 0.75dB/Step) 0x00: Mute 0x01: -119.25dB 0x9F = -0.75dB 0xA0 = 0dB 0xA1 = 0.75dB 0xFF = 71.25dB
--	--	--	---

Reg 4ch_DAC Digital Mixer Source Select Register

Default: 0x0000			Register Name: DAC_MXR_SRC
Bit	Read/Write	Default	Description
15:12	R/W	0x0	DACL_MXR_SRC DAC left channel mixer source select 0: Disable 1:Enable Bit15: I2S1_DA0L Bit14: I2S1_DA1L Bit13: Reserved Bit12: ADCL
11:8	R/W	0x0	DACR_MXR_SRC DAC right channel mixer source select 0: Disable 1:Enable Bit11: I2S1_DA0R Bit10: I2S1_DA1R Bit9: Reserved Bit8: ADCR
7:0	R/W	0x0	Reserved

Reg 4dh_DAC Digital Mixer Gain Control Register

Default: 0x0000			Register Name: DAC_MXR_GAIN
Bit	Read/Write	Default	Description
15:12	R/W	0x0	DACL_MXR_GAIN DAC left channel mixer gain control 0: 0dB 1: -6dB Bit15: I2S1_DA0L Bit14: I2S1_DA1L Bit13: Reserved Bit12: ADCL
11:8	R/W	0x0	DACR_MXR_GAIN DAC right channel mixer gain control 0: 0dB 1: -6dB Bit11: I2S1_DA0R Bit10: I2S1_DA1R Bit9: Reserved Bit8: ADCR

7:0	R/W	0x0	Reserved
-----	-----	-----	----------

Reg 50h_ADC Analog Control Register

Default:0x3340			Register Name: ADC_APC_CTRL
Bit	R/W	Default	Description
15	R/W	0x0	ADCREN ADC Right channel Enable 0: Disable; 1: Enable
14:12	R/W	0x3	ADCRG ADC Right channel input Gain control From -4.5dB to 6dB, 1.5dB/step, default is 0dB
11	R/W	0x0	ADCLEN ADC Left channel Enable 0: Disable; 1: Enable
10:8	R/W	0x3	ADCLG ADC Left channel input Gain control From -4.5dB to 6dB, 1.5dB/step, default is 0dB
7	R/W	0x0	MBIASEN Master microphone BIAS Enable 0: Disable; 1: Enable
6	R/W	0x1	MMIC_BIAS_CHOPPER_EN Main MICrophone BIAS chopper Enable 0: Disable; 1: Enable
5:4	R/W	0x0	MMIC_BIAS_CHOPPER_CKS Main MICrophone BIAS chopper Clock select 00: 250k 01: 500k 10: 1Meg 11: 2Meg
3	/	/	/
2	R/W	0x0	HBIASMOD HBIAS&ADC working mode 0: HBIAS is enabled only when with load 1: HBIAS is enabled when HBIASEN write 1
1	R/W	0x0	HBIASEN Headset microphone BIAS Enable 0: Disable; 1: Enable
0	R/W	0x0	HBIASADCEN Headset microphone BIAS Current sensor & ADC Enable 0: Disable; 1: Enable

Reg 51h_ADC Source Select Register

Default:0x0000			Register Name: ADC_SRC
Bit	R/W	Default	Description
15:14	/	/	/

13:7	R/W	0x0	<p>RADC_MIXMUTE Right ADC Mixer Mute Control: 0: Mute; 1:On Bit 13: MIC1 Boost stage Bit 12: MIC2 Boost stage Bit 11: LINEINL-LINEINR Bit 10: LINEINR Bit 9: Reserved Bit 8: Right output mixer Bit 7: Left output mixer</p>
6:0	R/W	0x0	<p>LADC_MIXMUTE Left ADC Mixer Mute Control: 0: Mute; 1:On Bit 6: MIC1 Boost stage Bit 5: MIC2 Boost stage Bit 4: LINEINL-LINEINR Bit 3: LINEINL Bit 2: Reserved Bit 1: Left output mixer Bit 0: Right output mixer</p>

Reg 52h_ADC Source Boost Control Register

Default:0x4444			Register Name: ADC_SRCBST_CTRL
Bit	R/W	Default	Description
15	R/W	0x0	<p>MIC1AMPEN MIC1 boost AMPLifier ENable 0: Disable; 1: Enable</p>
14:12	R/W	0x4	<p>MIC1BOOST MIC1 boost amplifier Gain control 0dB when 000, and from 30dB to 48dB when 001 to 111</p>
11	R/W	0x0	<p>MIC2AMPEN MIC2 boost AMPLifier ENable 0: Disable; 1: Enable</p>
10:8	R/W	0x4	<p>MIC2BOOST MIC2 boost amplifier Gain control 0dB when 000, and from 30dB to 48dB when 001 to 111</p>
7	R/W	0x0	<p>MIC2PEN MIC2 Pin Enable 0: Disable; 1: MIC2</p>
6:4	R/W	0x4	<p>LINEIN_DIFF_PREG LINEINL-LINEINR differential signal pre-amplifier gain control -12dB to 9dB, 3dB/step, default is 0dB</p>
3	/	/	/
2:0	R/W	0x4	Reserved

Reg 53h_Output Mixer & DAC Analog Control Register

Default:0x0f80			Register Name: OMIXER_DACA_CTRL
Bit	R/W	Default	Description
15	R/W	0x0	DACAREN Internal DAC Analog Right channel Enable 0:Disable 1:Enable
14	R/W	0x0	DACALEN Internal DAC Analog Left channel Enable 0:Disable 1:Enable
13	R/W	0x0	RMIXEN Right Analog Output Mixer Enable 0:Disable 1:Enable
12	R/W	0x0	LMIXEN Left Analog Output Mixer Enable 0:Disable 1:Enable
11:9	R/W	0xf	HP_DCRM_EN Headphone DC offset remove function enable 0:Disable 1:Enable To remove the headphone buffer DC offset, this bit must be set 0xf before headphone PA enabled, and this bit must be set 0x0 before headphone PA disabled
7:0	R/W	0x80	Reserved

Reg 54h_Output Mixer Source Select Register

Default:0x0000			Register Name: OMIXER_SR
Bit	R/W	Default	Description
15:14	/	/	/
13:7	R/W	0x0	RMIXMUTE Right Output Mixer Mute Control 0-Mute, 1-On Bit 13: MIC1 Boost stage Bit 12: MIC2 Boost stage Bit 11: LINEINL-LINEINR Bit 10: LINEINR Bit 9: Reserved Bit 8: DACR Bit 7: DACL
6:0	R/W	0x0	LMIXMUTE Left Output Mixer Mute Control 0-Mute, 1-On

			Bit 6: MIC1 Boost stage Bit 5: MIC2 Boost stage Bit 4: LINEINL-LINEINR Bit 3: LINEINL Bit 2: Reserved Bit 1: DACL Bit 0: DACR
--	--	--	---

Reg 55h_ Output Mixer Source Boost Register

Default:0x56DB			Register Name: OMIXER_BST1_CTRL
Bit	R/W	Default	Description
15:14	R/W	0x1	HBIASSEL HMICBIAS voltage level select 00: 1.88V 01: 2.09V 10: 2.33V 11: 2.50V
13:12	R/W	0x1	MBIASSEL MMICBIAS voltage level select 00: 1.88V 01: 2.09V 10: 2.33V 11: 2.50V
11:9	R/W	0x3	Reserved
8:6	R/W	0x3	MIC1G MIC1 to L or R output mixer Gain Control From -4.5dB to 6dB, 1.5dB/step, default is 0dB
5:3	R/W	0x3	MIC2G MIC2 to L or R output mixer Gain Control From -4.5dB to 6dB, 1.5dB/step, default is 0dB
2:0	R/W	0x3	LINEING LINEINL/R to L/R output mixer Gain Control From -4.5dB to 6dB, 1.5dB/step, default is 0dB

Reg 56h_ Headphone Output Control Register

Default:0x0001			Register Name: HPOUT_CTRL
Bit	R/W	Default	Description
15	R/W	0x0	RHPS Right Headphone Power Amplifier (PA) Input Source Select 0: DACR 1: Right Analog Mixer
14	R/W	0x0	LHPS Left Headphone Power Amplifier (PA) Input Source Select 0: DACL 1: Left Analog Mixer

13	R/W	0x0	RHPPA_MUTE All input source to Right Headphone PA mute, including Right Output mixer and Internal DACR: 0:Mute, 1: On
12	R/W	0x0	LHPPA_MUTE All input source to Left Headphone PA mute, including Left Output mixer and Internal DACL: 0:Mute, 1: On
11	R/W	0x0	HPPA_EN Right & Left Headphone Power Amplifier Enable 0: Disable 1: Enable
10	/	/	/
9:4	R/W	0x0	HP_VOL Headphone Volume Control, (HPVOL): Total 64 level, from 0dB to -62dB, 1dB/step, mute when 000000
3:2	R/W	0x0	HPPA_DEL Headphone delay time when start up 00: 4ms 01: 8ms 10: 16ms 11: 32ms
1:0	R/W	0x1	HPPA_IS Headphone PA output stage current select 00 is minimum, 11 is maximum

Reg 58h_Speaker Output Control Register

Default:0x0880			Register Name: SPKOUT_CTRL
Bit	R/W	Default	Description
15:13	R/W	0x0	Reserved
12	R/W	0x0	RSPKS Right speaker input source select 0: MIXR 1: MIXL+MIXR
11	R/W	0x1	RSPKINVEN Right speaker negative output enable 0: Disable; 1: Enable
10	/	/	/
9	R/W	0x0	RSPK_EN Right Speaker Enable 0: Disable; 1: Enable
8	R/W	0x0	LSPKS Left speaker input source select 0: MIXL 1: MIXL+MIXR
7	R/W	0x1	LSPKINVEN

			Left speaker negative output enable 0: Disable; 1: Enable
6	/	/	/
5	R/W	0x0	LSPK_EN Left Speaker Enable 0: Disable; 1: Enable
4:0	R/W	0x0	SPK_VOL Right & Left speaker VOLume control Total 31 level, from 0dB to -43.5dB, 1.5db/step, mute when 00000&00001

Reg a0h_DAC DAP Control Register

Default: 0x0000			Register Name: AC_DAC_DAPCTRL
Bit	Read/Write	Default	Description
15:3	/	/	/
2	R/W	0	DRC enable control 0: disable 1: enable
1	R/W	0	Left channel HPF enable control 0: disable 1: enable
0	R/W	0	Right channel HPF enable control 0: disable 1: enable

Reg a1h_DAC DAP High HPF Coef Register

Default: 0x00FF			Register Name: AC_DAC_DAPHHPFC
Bit	Read/Write	Default	Description
15:11	/	/	/
10:0	R/W	0xFF	HPF coefficient setting(the coefficient [reg a1[10:0], reg a2] is 3.24 format 2s complement)

Reg a2h_DAC DAP Low HPF Coef Register

Default: 0xFAC1			Register Name: AC_DAC_DAPLHPFC
Bit	Read/Write	Default	Description
15:0	R/W	0xFAC1	HPF coefficient setting(the coefficient [reg a1[10:0], reg a2] is 3.24 format 2s complement)

Reg a3h_DAC DAP Left High Energy Average Coef Register

Default: 0x0100			Register Name: AC_DAC_DAPLHAVC
Bit	Read/Write	Default	Description
15:11	/	/	/
10:0	R/W	0x0100	Left channel energy average filter coefficient setting(the coefficient [reg a3[10:0], reg a4] is 3.24 format 2s complement)

Reg a4h_DAC DAP Left Low Energy Average Coef Register

Default: 0x0000			Register Name: AC_DAC_DAPLLAVC
Bit	Read/Write	Default	Description
15:0	R/W	0x0000	Left channel energy average filter coefficient setting(the coefficient [rega3[10:0],rega4] is 3.24 format 2s complement)

Reg a5h_DAC DAP Right High Energy Average Coef Register

Default: 0x0100			Register Name: AC_DAC_DAPRHAVC
Bit	Read/Write	Default	Description
15:11	/	/	/
10:0	R/W	0x0100	Right channel energy average filter coefficient setting(the coefficient [reg a5[10:0], reg a6] is 3.24 format 2s complement)

Reg a6h_DAC DAP Right Low Energy Average Coef Register

Default: 0x0000			Register Name: AC_DAC_DAPRLAVC
Bit	Read/Write	Default	Description
15:0	R/W	0x0000	Right channel energy average filter coefficient setting(the coefficient [reg a5[10:0],reg a6] is 3.24 format 2s complement)

Reg a7h_DAC DAP High Gain Decay Time Coef Register

Default: 0x0100			Register Name: AC_DAC_DAPHGDEC
Bit	Read/Write	Default	Description
15:11	/	/	/
10:0	R/W	0x0100	Gain smooth filter decay time coefficient setting(the coefficient [reg a7[10:0], reg a8] is 3.24 format 2s complement)

Reg a8h_DAC DAP Low Gain Decay Time Coef Register

Default: 0x0000			Register Name: AC_DAC_DAPLGDEC
Bit	Read/Write	Default	Description
15:0	R/W	0x0000	Gain smooth filter decay time coefficient setting(the coefficient [reg a7[10:0], reg a8] is 3.24 format 2s complement)

Reg a9h_DAC DAP High Gain Attack Time Coef Register

Default: 0x0100			Register Name: AC_DAC_DAPHGATC
Bit	Read/Write	Default	Description
15:11	/	/	/

10:0	R/W	0x0100	Gain smooth filter attack time coefficient setting(the coefficient [reg a9[10:0], reg aa] is 3.24 format 2s complement)
------	-----	--------	--

Reg aah_DAC DAP Low Gain Attack Time Coef Register

Default: 0x0000			Register Name: AC_DAC_DAPLGATC
Bit	Read/Write	Default	Description
15:0	R/W	0x0000	Gain smooth filter attack time coefficient setting(the coefficient [reg a9[10:0], reg aa] is 3.24 format 2s complement)

Reg abh_DAC DAP High Energy Threshold Register

Default: 0x04FB			Register Name: AC_DAC_DAPHETHD
Bit	Read/Write	Default	Description
15:0	R/W	0x04FB	The DRC Energy compress threshold parameter T setting(the T = [reg ab, reg ac] is 8.24 format 2s complement)

Reg ach_DAC DAP Low Energy Threshold Register

Default: 0x9ED0			Register Name: AC_DAC_DAPLETHD
Bit	Read/Write	Default	Description
15:0	R/W	0x9ED0	The DRC Energy compress threshold parameter T setting(the T = [reg ab, reg ac] is 8.24 format 2s complement)

Reg adh_DAC DAP High Gain K Parameter Register

Default: 0x0780			Register Name: AC_DAC_DAPHGKPA
Bit	Read/Write	Default	Description
15:11	/	/	/
10:0	R/W	0x0780	The DRC gain curve slope k parameter setting(the K = [reg ad[10:0], reg ae] is 3.24 format 2s complement)

Reg aeh_DAC DAP Low Gain K Parameter Register

Default: 0x0000			Register Name: AC_DAC_DAPLGKPA
Bit	Read/Write	Default	Description
15:0	R/W	0x0000	The DRC gain curve slope k parameter setting(the K = [reg ad[10:0], reg ae] is 3.24 format 2s complement)

Reg afh_DAC DAP High Gain Offset Parameter Register

Default: 0x0100			Register Name: AC_DAC_DAPHGOPA
Bit	Read/Write	Default	Description

15:13	/	/	/
12:0	R/W	0x0100	The DRC gain curve offset O parameter setting(the O = [reg af[12:0], reg b0] is 5.24 format 2s complement)

Reg b0h_DAC DAP Low Gain Offset Parameter Register

Default: 0x0000			Register Name: AC_DAC_DAPLGOPA
Bit	Read/Write	Default	Description
15:0	R/W	0x0000	The DRC gain curve offset O parameter setting(the K = [reg af[12:0], regb0] is 5.24 format 2s complement)

Reg b1h_DAC DAP Optimum Register

Default: 0x0000			Register Name: AC_DAC_DAPOPT
Bit	Read/Write	Default	Description
15:6	/	/	/
5	R/W	0	DRC gain default value setting 0: The default gain is 1 1: The default gain is 0
4:0	R/W	0x00	The hysteresis of the gain smooth filter to use the decay time coefficient or the attack time coefficient. When in the decay time state, if $g(n-1)-g(n)>hysteresis$, then the state will change to attack time state, and when in the attack time, if $g(n)-g(n-1)>hysteresis$, then the state will change to decay time state. Note the hysteresis of 0x00 and 0x04 is the same. 00000: 2^{-16} 00001: 2^{-19} 00010: 2^{-18} 00011: 2^{-17} 00100: 2^{-16} ----- 10011: 2^{-1} 10100 ~11111: 1 $hysteresis = 2^{n-20}$, except $n=0x00$, and n less 0x14.

Reg b5h_DAC DAP Enable Register

Default: 0x0000			Register Name: DAC_DAP_ENA
Bit	Read/Write	Default	Description
15	R/W	0x0	I2S1_DAC0_DRC_ENA I2S1 DAC timeslot 0 DRC enable 0: Disable 1: Enable
14	R/W	0x0	Reserved
13	R/W	0x0	I2S1_DAC1_DRC_ENA I2S1 DAC timeslot 1 DRC enable

			0: Disable 1: Enable
12:8	R/W	0x0	Reserved
7	R/W	0x0	DAC_DRC_ENA DAC DRC enable 0: Disable 1: Enable
6:0	R/W	0x0	Reserved