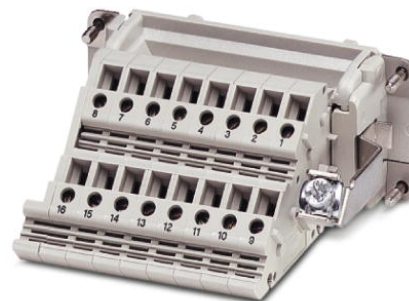


## HC-KA-B 6-BU/PER


Order No.: 1772926

The illustration shows version HC-KA-B 16-BU/PER

<http://eshop.phoenixcontact.de/phoenix/treeViewClick.do?UID=1772926>

HEAVYCON terminal adapter female insert, B6 series, 6. pos., protective conductor connection on the right for the left side of the control cabinet, screw connection; contact inserts with screw, crimp, and QUICKON connections usable as mating connectors.

### Commercial data

GTIN (EAN)	
sales group	D004
Pack	5 pcs.
Customs tariff	85369010
Catalog page information	Page 382 (PC-2007)

### Product notes

WEEE/RoHS-compliant since:  
12/01/2005

<http://www.download.phoenixcontact.com>  
Please note that the data given here has been taken from the online catalog. For comprehensive information and data, please refer to the user documentation. The General Terms and Conditions of Use apply to Internet downloads.

### Technical data

#### Electrical characteristics

Note	For HEAVYCON ADVANCE panel mounting flange and HEAVYCON panel mounting base of type B6. Contact inserts with screw, crimp, and QUICKON connections can be used as mating connectors.
------	--

Number of positions	6
Connection in acc. with standard	IEC / EN
Rated voltage (III/3)	400 V
Rated surge voltage	6 kV
Rated current	16 A

#### Mechanical characteristics

Design	B6
Connection method	Screw connection
Tightening torque	0.5 Nm ... 0.8 Nm
Stripping length of the individual wire	14 mm
Conductor cross-section	0.2 mm <sup>2</sup> ... 2.5 mm <sup>2</sup>
Connection cross-section AWG	22 ... 12

#### General characteristics

Contact material	Copper alloy
Contact surface material	Ag
Contact carrier material	PA / PC
Terminal adapter width	26.3 mm
Height	34 mm
Pollution degree	3
Surge voltage category	III
Inflammability class acc. to UL 94	V0
Connection in acc. with standard	IEC / EN
Ambient temperature (operation)	-40 °C ... 125 °C
Installation instructions	Connectors may be plugged in only when there is no load/voltage.

#### Certificates / Approvals



Certification

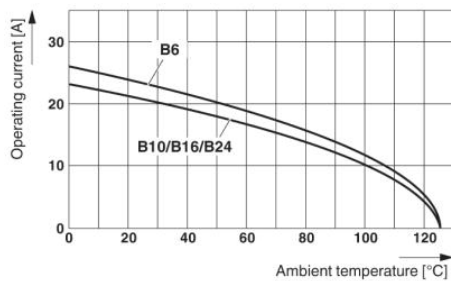
CSA, GOST, UL

**Accessories**

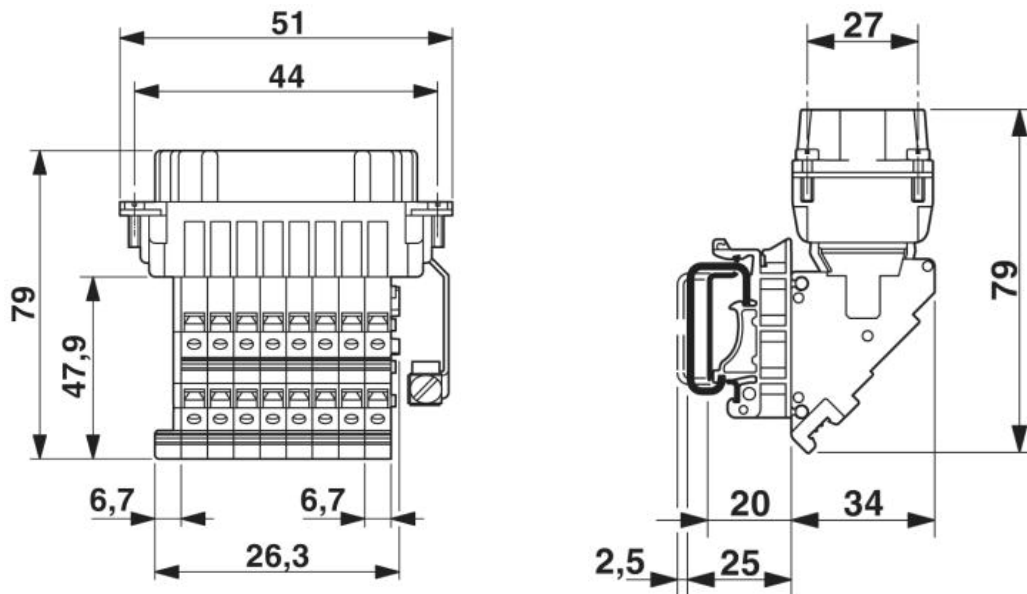
Item	Designation	Description
<b>Assembly</b>		
1775240	HC-KA-FE	Foot element, for mounting on DIN rail NS 32, DIN rail NS 35/7.5 or DIN rail NS 35/15, can be inserted between basic and side element
1660083	HC-VSH	Locking screw barrel, for a firm connection of contact inserts and DIN-rail mountable terminal adapters

**Diagrams/Drawings**

Diagram

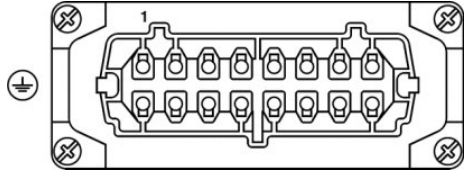


Dimensioned drawing



Schematic diagram

---



**Address**

PHOENIX CONTACT Deutschland GmbH  
Flachmarktstr. 8  
32825 Blomberg, Germany  
Phone +49 5235 3 12000  
Fax +49 5235 3 41200  
<http://www.phoenixcontact.de>



© 2010 Phoenix Contact  
Technical modifications reserved;